

CAST IRON GATE VALVE FLANGED PN10 DIN3202-1 F4 BRASS SEAT

Cast iron gate valve with brass seat flanged PN10/16 full bore for opening/closing networks of water, water treatment and heating.

Inside screw stem, non rising stem and handwheel.

Graphite packing and bonnet gasket.

Certificate

3.1



Size : DN40 to DN300

Connection : Flanges RF PN10/16

Min Temperature : -10°C

Max Temperature : +90°C

Max Pressure : 10 Bars

Specifications : Non rising stem and handwheel

Stainless steel stem and brass seat

Inside screw stem

Full bore

Materials : Cast iron body EN GJL-250

CAST IRON GATE VALVE FLANGED PN10 DIN3202-1 F4 BRASS SEAT

SPECIFICATIONS :

- Single solid wedge
- Rotating non rising stem and handwheel
- Inside screw stem
- Graphite packing
- Brass seat
- Flanges R.F. PN10
- Painting Alkyde RAL 7011 grey color, 90 µm thickness

USE :

- For water, water treatment, heating
- For common liquids of 2nd group
- Min and max Temperature Ts : - 10°C to + 90°C
- Max Pressure Ps : 10 bars

RANGE :

- Globe valve cast iron body flanged R.F. PN10 **Ref. 150** from DN 40 to DN 300

LEAKAGE RATE (WITH WATER AT 20°C) :

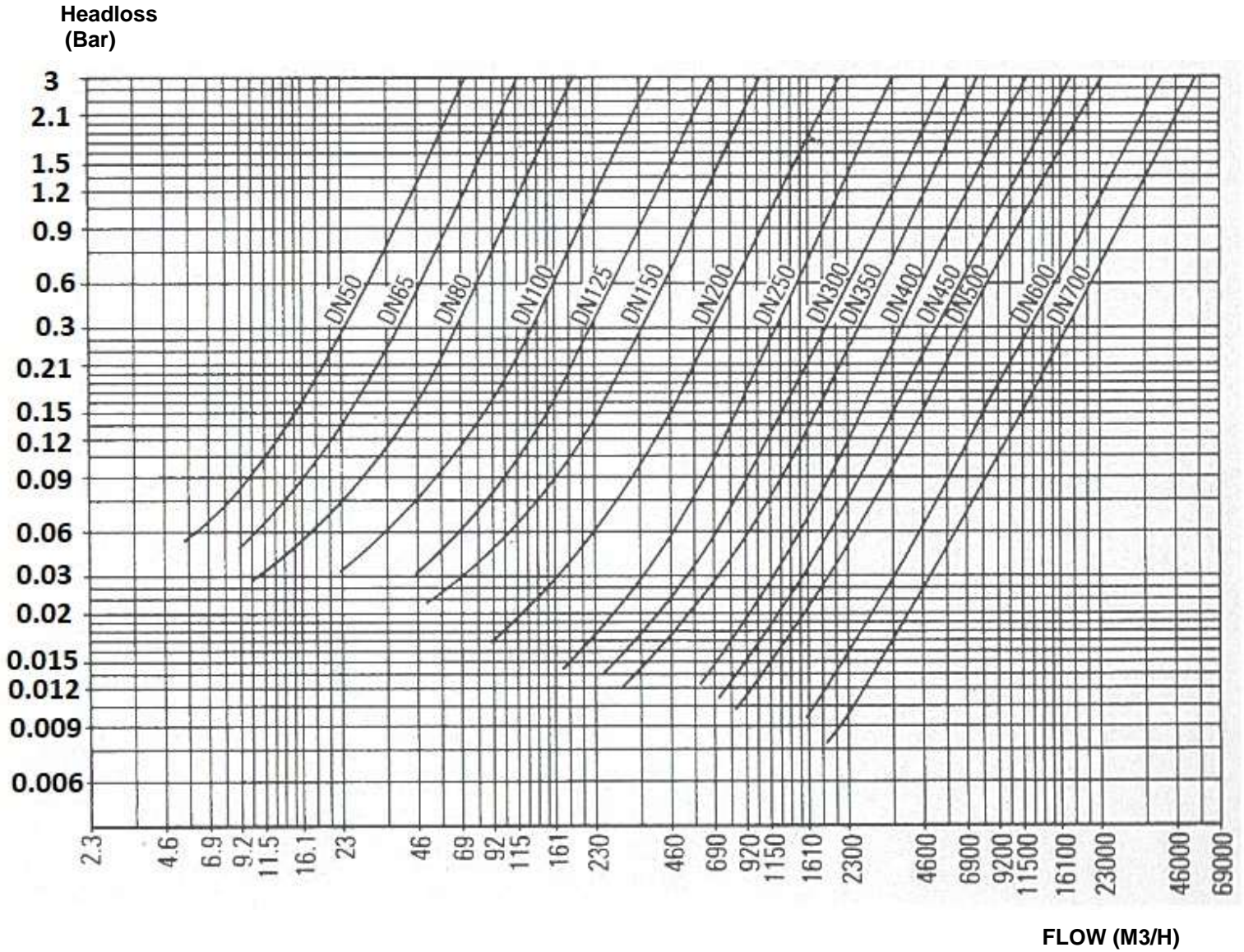
DN	Leakage rate (mm³/s)
40	0.4
50	0.5
65	0.65
80	0.80
100	1.00
125	1.25
150	1.50
200	2.00
250	2.50
300	3.00

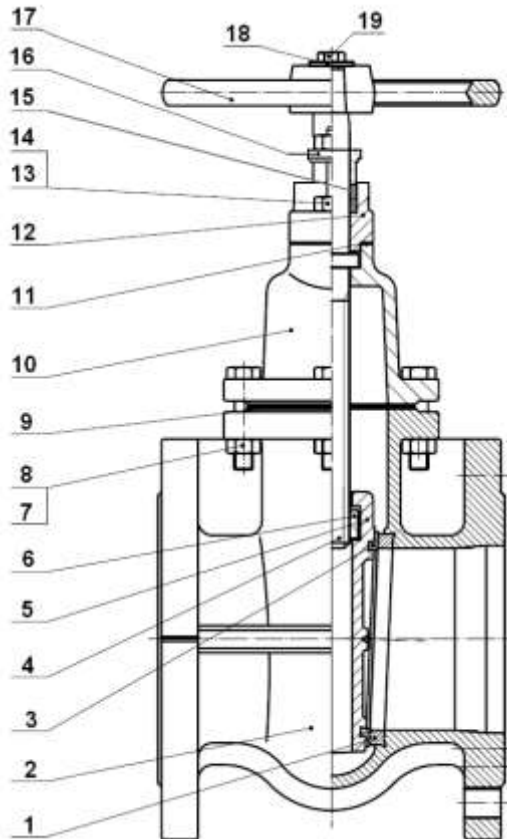
NUMBER OF CYCLES TO CLOSE OR OPEN THE VALVE :

DN	40	50	65	80	100	125	150	200	250	300
Number of cycles	17.3	20.5	19.3	23.5	29	35.3	33.3	43.6	53.6	65

CAST IRON GATE VALVE FLANGED PN10 DIN3202-1 F4 BRASS SEAT

HEADLOSS GRAPH:

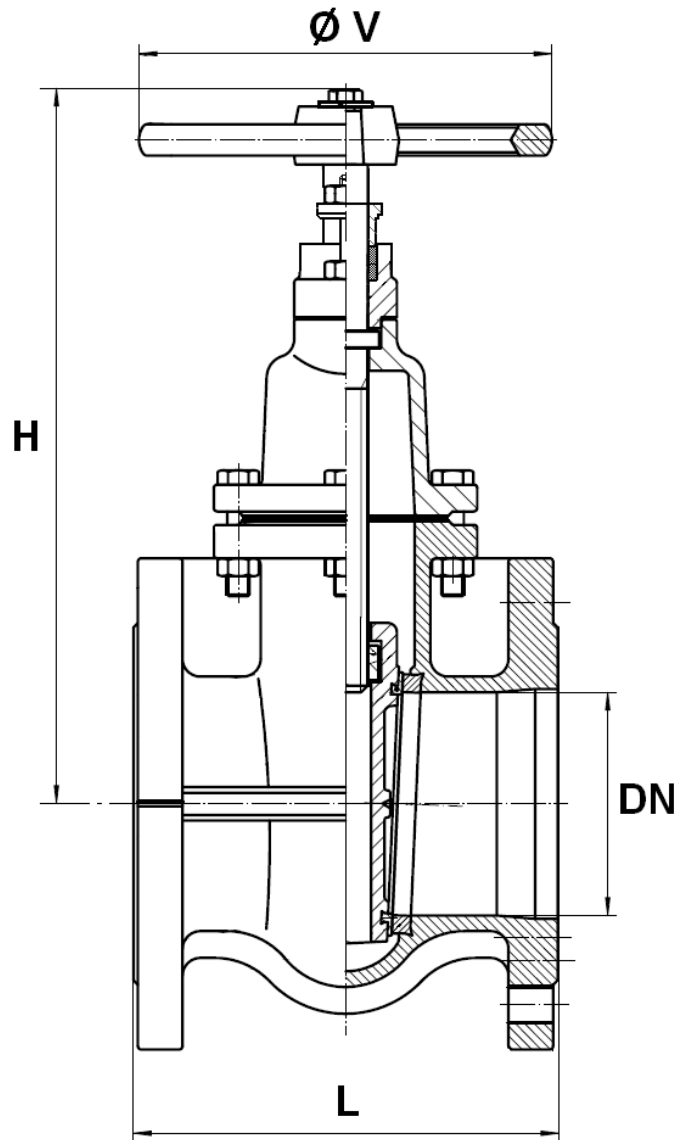


CAST IRON GATE VALVE FLANGED PN10 DIN3202-1 F4 BRASS SEAT
MATERIALS :


Item	Designation	Materials
1	Body seat	Brass
2	Body	Cast iron EN GJL-250
3	Wedge seat ring	Brass
4	Stem	AISI 420
5	Wedge disc	Cast iron EN GJL-250
6	Stem nut	Brass
7	Bolt	Steel RSt37-2 (1.0038)
8	Nut	Steel RSt37-2 (1.0038)
9	Bonnet gasket	Graphite
10	Bonnet	Cast iron EN GJL-250
11	Stuffing box gasket	Graphite
12	Stuffing box	Ductile iron EN GJS-500-7
13	Bolt	Steel RSt37-2 (1.0038)
14	Nut	Steel RSt37-2 (1.0038)
15	Packing	Graphite
16	Gland follower	Ductile iron EN GJS-500-7
17	Handwheel	Cast iron EN GJL-250
18	Washer	Steel RSt37-2 (1.0038)
19	Bolt	Steel RSt37-2 (1.0038)

CAST IRON GATE VALVE FLANGED PN10 DIN3202-1 F4 BRASS SEAT

SIZE (in mm) :



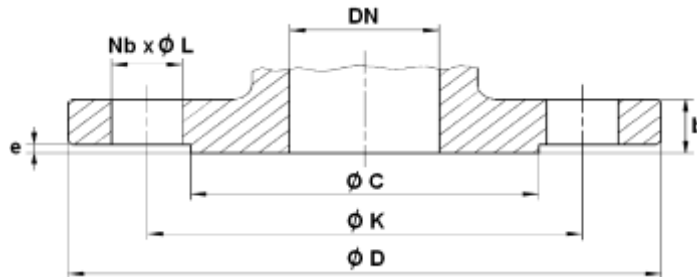
DN	40	50	65	80	100	125	150	200	250	300
L	140	150	170	180	190	200	210	230	250	270
H	245	255	277	304	332	388	455	538	629	730
Ø V	130-160*		150-160*		185-200*		195-250*	225-250*	245-320*	285-320*
Weight (Kg)	9.3	11.2	14	18.8	25	35.5	47	68	139	160
Ref.	150040	150050	150065	150080	150100	150125	150150	150200	150250	150300

**modification in progress of handwheel diameter*

Sferaco 90 rue du Ruisseau 38297 St Quentin Fallavier Tel: + 33 (0) 474.94.15.90 Fax: + 33 (0) 474.95.62.08 Internet: www.sferaco.com E-mail : info@sferaco.fr

Date : 02/24

Rev.10

CAST IRON GATE VALVE FLANGED PN10 DIN3202-1 F4 BRASS SEAT
FLANGES SIZE (in mm) :


PN	PN10/16							PN10		
DN	40	50	65	80	100	125	150	200	250	300
Ø C	80	102	124	140	158	188	212	268	320	370
Ø D	150	165	185	200	220	250	285	340	395	445
Ø K	110	125	145	160	180	210	240	295	350	400
Nb x Ø L	4 x 19	4 x 19	4 x 19	8 x 19	8 x 19	8 x 19	8 x 23	8 x 23	12 x 23	12 x 23
b	16	16	16	17	17	18	20	21	23	24
e	2	2	2	2	2	3	3	3	3	4

STANDARDS :

- Manufacturer certified ISO 9001 : 2015
- DIRECTIVE 2014/68/EU : For liquids of Group 2
 - Products excluded (article 4, § 3)
- Certificate 3.1 on request
- Pressure tests according to EN 12266-1, leakage rate B
- Length according to EN 558 series 14 (DIN 3202-1 F4)
- Flanged R.F. according to EN 1092-2 PN10
- Designing according to EN 1171

ADVICE : Our opinion and our advice are not guaranteed and SFERACO shall not be liable for the consequences of damages. The customer must check the right choice of the products with the real service conditions.