

DUCTILE IRON GATE VALVE FLANGED PN16 NF 29323 STAINLESS STEEL SEAT RISING STEM

Ductile iron gate valve with stainless steel seat flanged PN10/16 full bore for opening/closing networks of water, water treatment and heating.

Outside screw stem, rising stem and non rising handwheel.

Graphite packing and bonnet gasket.



Size : DN40 to DN600
Connection : Flanges RF PN10/16
Min Temperature : -10°C
Max Temperature : +180°C
Max Pressure : 16 Bars
Specifications : Rising stem and non rising handwheel
Stainless steel stem and seat
Outside screw stem
Full bore

Materials : Ductile iron body EN GJS-500-7

DUCTILE IRON GATE VALVE FLANGED PN16 NF 29323 STAINLESS STEEL SEAT RISING STEM

SPECIFICATIONS :

- Single solid wedge
- Oblique seat
- Graphite packing
- Full bore
- Rising stem and non rising handwheel
- Stainless steel stem
- AISI 304 seat
- Flanges R.F. PN10/16
- Body Painting Alkyde RAL 5005 blue color, 90 µm thickness and red handwheel

USE :

- For water, water treatment, heating
- For common liquids of 2nd group
- Min and max Temperature Ts : - 10°C to + 180°C
- Max Pressure Ps : 16 bars

RANGE :

- Ductile iron body flanged R.F. PN10/16 **Ref. 158** from DN 40 to DN 600

TORQUE VALUES (Nm without safety coefficient) :

DN	40	50	65	80	100	125	150	200	250	300	350	400	500	600
Torque (Nm)	55	55	55	60	85	115	125	135	192	192	350	400	500	600

LEAKAGE RATE (WITH WATER AT 20°C) :

DN	Leakage rate (mm ³ /s)
40	0.4
50	0.5
65	0.65
80	0.80
100	1.00
125	1.25
150	1.50
200	2.00
250	2.50
300	3.00

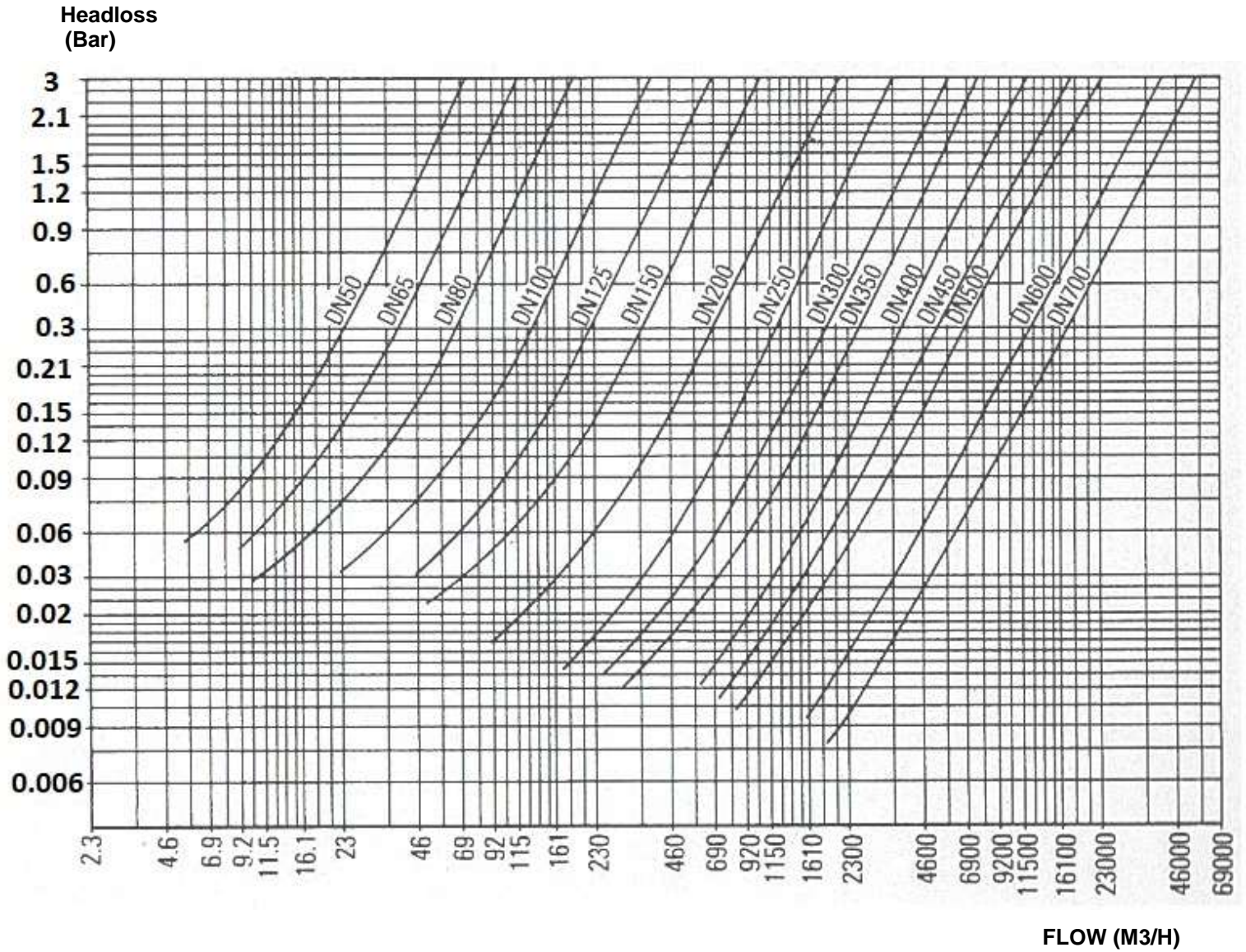
DN	Leakage rate (mm ³ /s)
350	3.50
400	4.00
500	5.00
600	6.00

NUMBER OF CYCLES TO CLOSE OR OPEN THE VALVE :

DN	40	50	65	80	100	125	150	200	250	300	350	400	500	600
Number of cycles	13	15.5	19.3	23.5	29	35.3	33.3	43.6	53.6	65	62.1	71.5	76.3	79.3

DUCTILE IRON GATE VALVE FLANGED PN16 NF 29323 STAINLESS STEEL SEAT RISING STEM

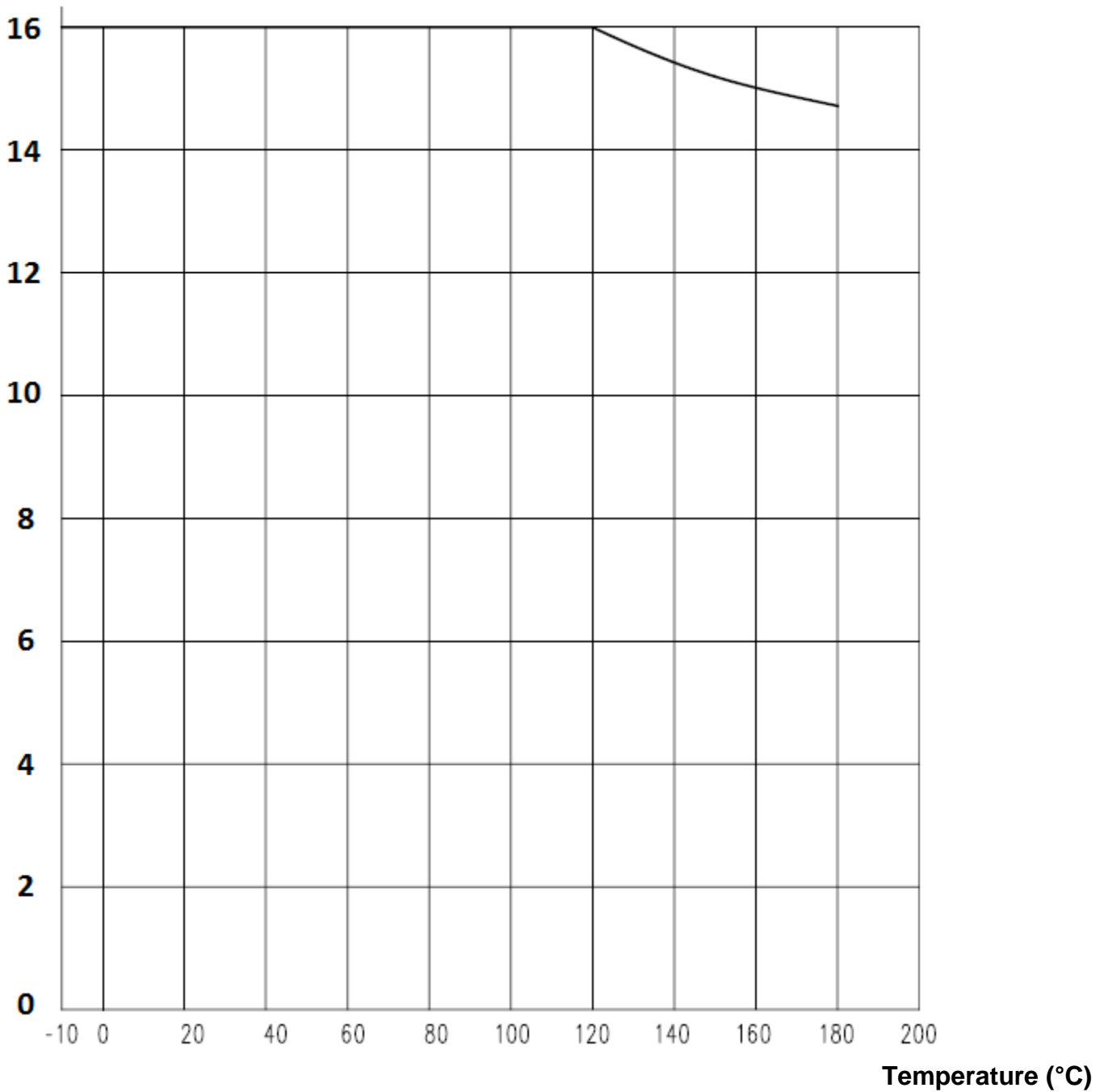
HEADLOSS GRAPH :



DUCTILE IRON GATE VALVE FLANGED PN16 NF 29323 STAINLESS STEEL SEAT RISING STEM

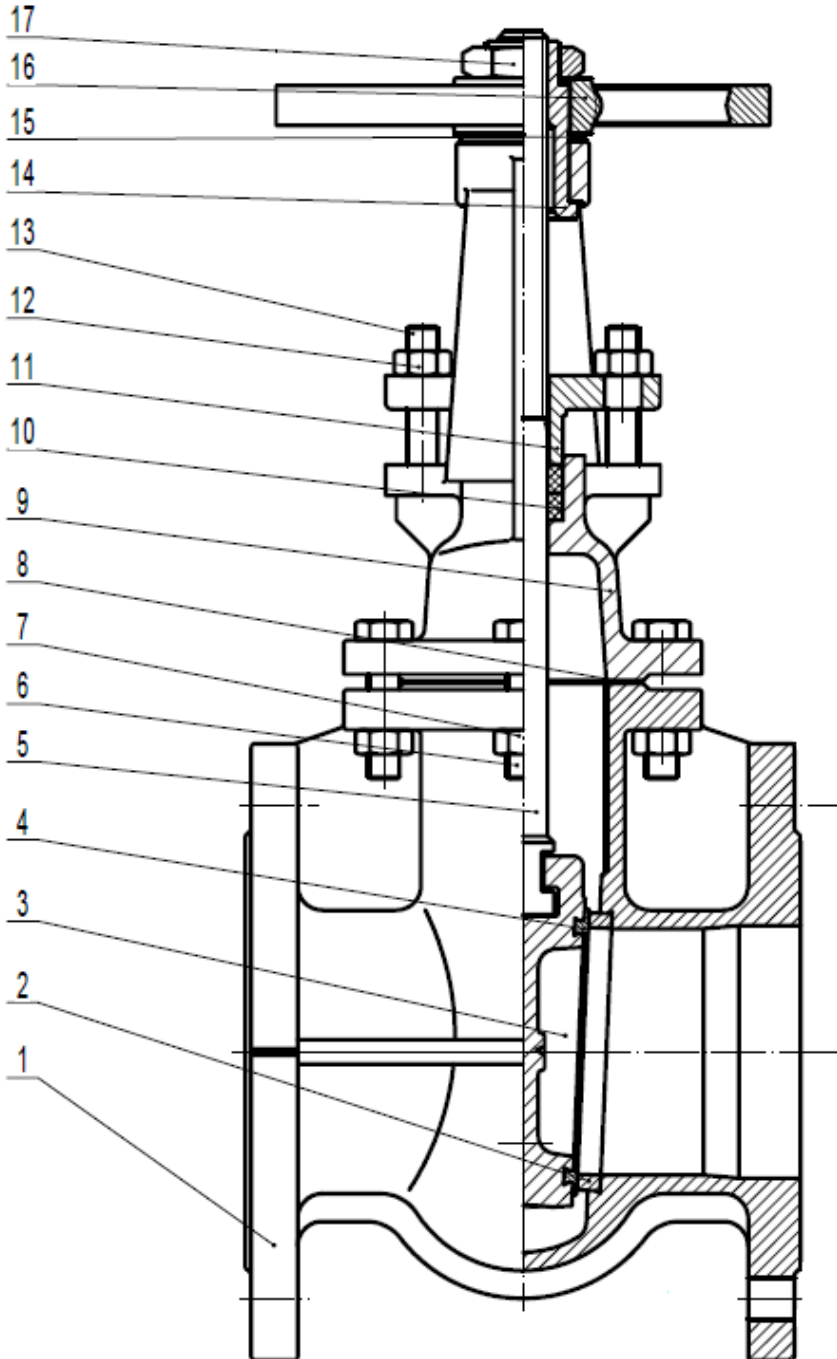
PRESSURE / TEMPERATURE GRAPH (STEAM EXCLUDED) :

Pressure (Bar)



DUCTILE IRON GATE VALVE FLANGED PN16 NF 29323 STAINLESS STEEL SEAT RISING STEM

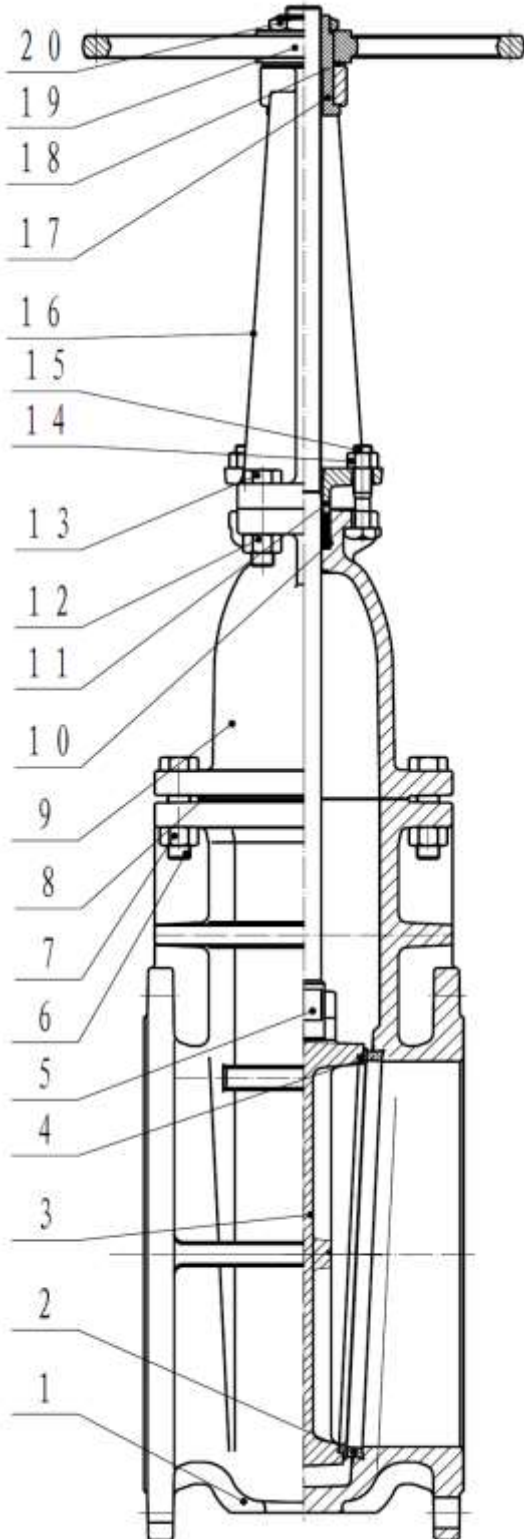
MATERIALS DN40-300 :



Item	Designation	Materials
1	Body	Ductile iron EN-GJS-500-7
2	Body seat ring	AISI 304
3	Wedge	Ductile iron EN-GJS-500-7
4	Wedge seat	AISI 304
5	Stem	AISI 420
6	Screw	Steel RSt37-2 (1.0038)
7	Nut	Steel RSt37-2 (1.0038)
8	Bonnet gasket	Graphite
9	Bonnet	Ductile iron EN-GJS-500-7
10	Packing	Graphite
11	Packing gland	Ductile iron EN-GJS-500-7
12	Nut	Steel RSt37-2 (1.0038)
13	Screw	Steel RSt37-2 (1.0038)
14	Stem nut	Brass
15	Washer	Brass
16	Handwheel	Cast iron EN GJL-250
17	Handwheel nut	Steel RSt37-2 (1.0038)

DUCTILE IRON GATE VALVE FLANGED PN16 NF 29323 STAINLESS STEEL SEAT RISING STEM

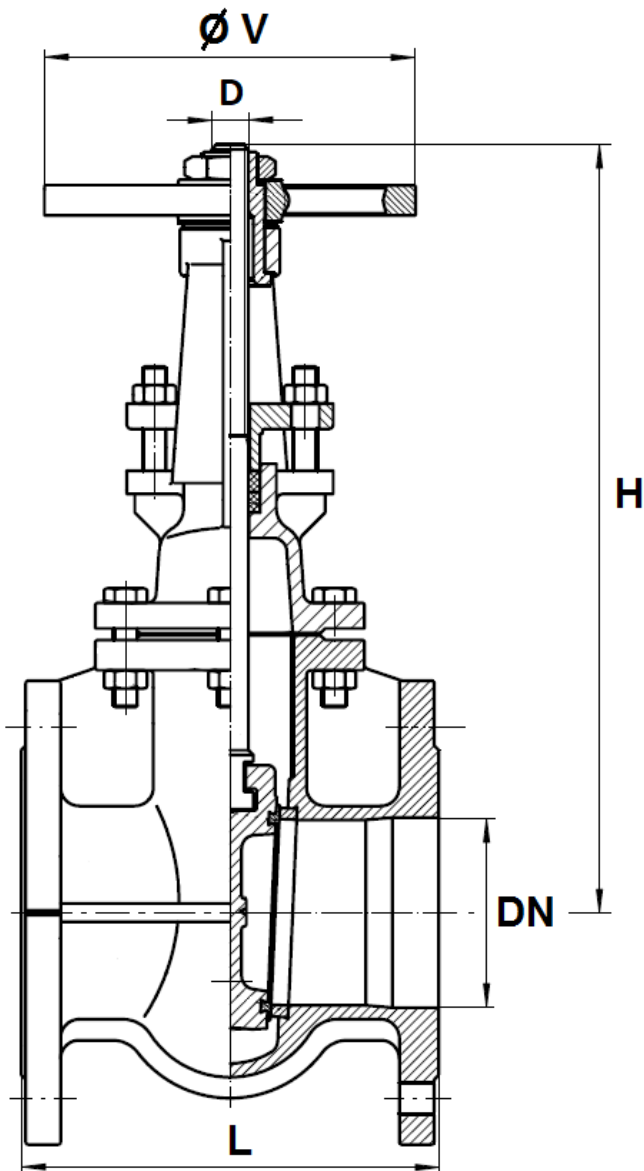
MATERIALS DN350-600 :



Item	Designation	Materials
1	Body	Ductile iron EN-GJS-450-10
2	Body seat ring	AISI 304
3	Wedge	Ductile iron EN-GJS-450-10
4	Wedge seat	AISI 304
5	Stem	AISI 420
6	Screw	Steel RSt37-2 (1.0038)
7	Nut	Steel RSt37-2 (1.0038)
8	Bonnet gasket	Graphite
9	Bonnet	Ductile iron EN-GJS-450-10
10	Packing	Graphite
11	Packing gland	Ductile iron EN-GJS-450-10
12	Nut	Steel RSt37-2 (1.0038)
13	Screw	
14	Nut	
15	Screw	
16	Yoke	Ductile iron EN-GJS-450-10
17	Stem nut	Brass
18	Washer	Brass
19	Handwheel	Cast iron EN GJL-250
20	Handwheel nut	Steel RSt37-2 (1.0038)

DUCTILE IRON GATE VALVE FLANGED PN16 NF 29323 STAINLESS STEEL SEAT RISING STEM

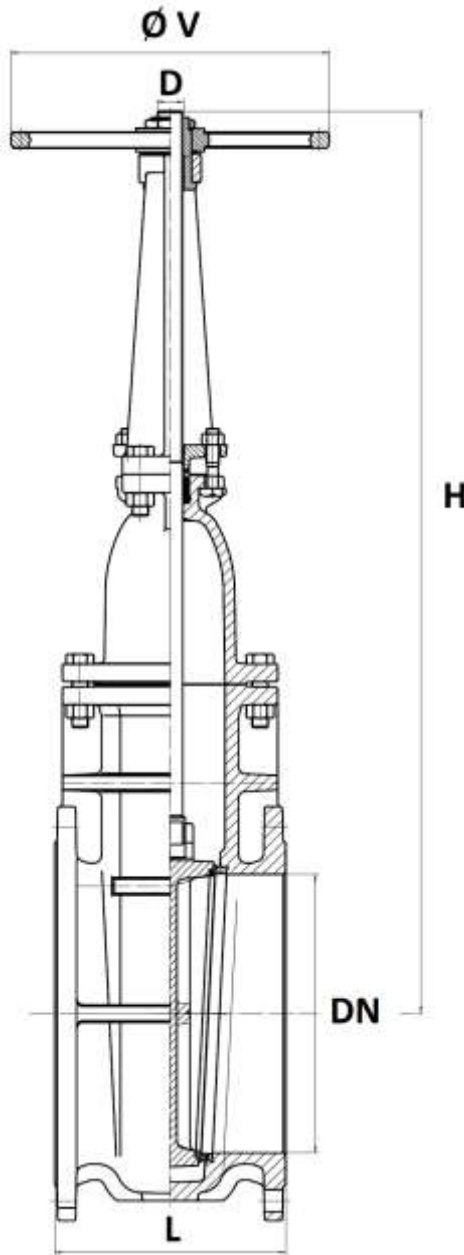
SIZE DN40-300 (in mm) :



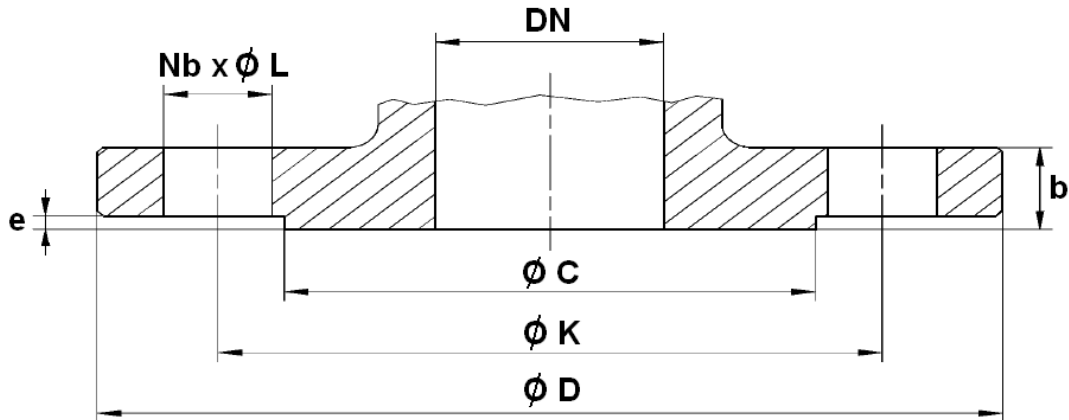
DN	40	50	65	80	100	125	150	200	250	300
L	136	142	154	160	172	186	200	228	255	285
H (closed)	244	254	294	331	385	457	545	683	823	952
H (opened)	295	315	371	424	500	598	711	901	1092	1273
Ø V	160	160	160	160	200	200	250	250	320	320
D (stem threading)	Tr 16x4 LH				Tr 20x4 LH		Tr 22x5 LH		Tr 26x5 LH	Tr 28x5 LH
Weight (Kg)	9.5	10.7	13.3	17.2	22.1	31.3	46.5	69.1	105.4	172.2
Ref.	158040	158050	158065	158080	158100	158125	158150	158200-158201	158250-158251	158300-158301

DUCTILE IRON GATE VALVE FLANGED PN16 NF 29323 STAINLESS STEEL SEAT RISING STEM

SIZE DN350-600 (in mm) :



DN	350	400	500 PN10	500 PN16	600
L	315	340	380		425
H (closed)	1134	1286	1603		1872
H (opened)	1507	1715	2137		2506
Ø V	400	400	457		610
D (stem threading)	Tr 32x6 LH	Tr 36x6 LH	Tr 42x7 LH		Tr 46x8 LH
Weight (Kg)	260	342	638	658	
Ref.	158350-158351	158400-158401	158501	158500	158600-158601

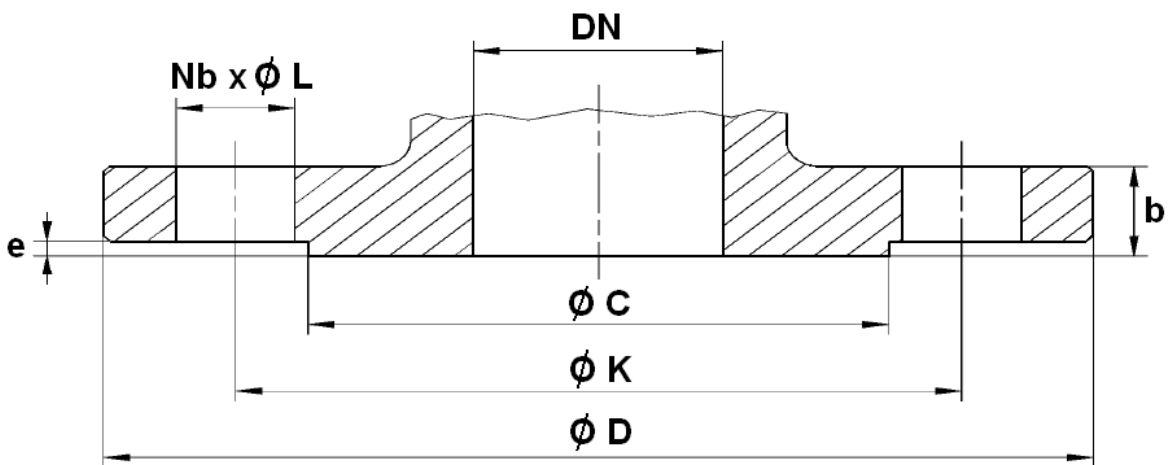
DUCTILE IRON GATE VALVE FLANGED PN16 NF 29323 STAINLESS STEEL SEAT RISING STEM
FLANGES SIZE PN16 (in mm) :


PN	PN10/16							PN16		
DN	40	50	65	80	100	125	150	200	250	300
Ø C	80	102	124	140	158	188	212	268	319	370
Ø D	150	165	185	200	220	250	285	340	405	460
Ø K	110	125	145	160	180	210	240	295	355	410
Nb x Ø L	4 x 19	4 x 19	4 x 19	8 x 19	8 x 19	8 x 19	8 x 23	12 x 23	12 x 28	12 x 28
b	16	16	16	17	17	18	20	21	22	24.5
e	2	2	2	2	2	3	3	3	3	3
Ref.	158040	158050	158065	158080	158100	158125	158150	158200	158250	158300

PN	PN16			
DN	350	400	500	600
Ø C	429	480	609	720
Ø D	520	580	715	840
Ø K	470	525	650	770
Nb x Ø L	16 x 28	16 x 31	20 x 34	20 x 37
b	26.5	28	31.5	36
e	4	4	4	5
Ref.	158350	158400	158500	158600

DUCTILE IRON GATE VALVE FLANGED PN16 NF 29323 STAINLESS STEEL SEAT RISING STEM

FLANGES SIZE PN10 (in mm) :



PN	PN10						
DN	200	250	300	350	400	500	600
Ø C	268	320	370	429	480	582	682
Ø D	340	395	445	505	565	670	780
Ø K	295	350	400	460	515	620	725
Nb x Ø L	8 x 23	12 x 23	12 x 23	16 x 23	16 x 28	20 x 28	20 x 31
b	21	23	24	24.5	24.5	26.5	30
e	3	3	4	4	4	4	5
Ref.	158201	158251	158301	158351	158401	158501	158601

DUCTILE IRON GATE VALVE FLANGED PN16 NF 29323 STAINLESS STEEL SEAT RISING STEM

STANDARDS :

- Manufacturer certified ISO 9001 : 2015
- DIRECTIVE 2014/68/EU : For liquids of group 2
 - Products excluded (article 4, § 3) for types PN10 and up to DN300 for types PN16
 - CE marking for types PN16 from DN350 to 600
- Certificate 3.1 on request
- Pressure tests according to EN 12266-1, leakage rate B
- Length according to EN 558 series 29 (NF 29323)
- Flanged R.F. according to EN 1092-2 PN10/16
- Design according to EN 1171

ADVICE : Our opinion and our advice are not guaranteed and SFERACO shall not be liable for the consequences of damages. The customer must check the right choice of the products with the real service conditions.

Sferaco 90 rue du Ruisseau 38297 St Quentin Fallavier Tel: + 33 (0) 474.94.15.90 Fax: + 33 (0) 474.95.62.08 Internet: www.sferaco.com E-mail : info@sferaco.fr

Date : 02/24

Page 11 sur 11

Rev.06