

S-GATE™ KNIFE GATE VALVE WITH PNEUMATIC ACTUATOR

MAIN FEATURES

The pneumatic S-GATE knife gate valve is intended for the automatic shut off of pipes of the heavy fluids like slurries and powders. The main fields of application are the water treatment, the paper industry and the food industry. The in-line tightness can be both uni- or bi-directional and several versions of the valve are available. The double effect pneumatic actuator allows the remote control of the valve. The pneumatic valve can be installed either indoor or outdoor. The movement of the gate is protected by lateral covers. Numerous options are available on the valve or on the actuator.

AVAILABLE MODELS

S-GATE 170/171 : cast iron body, stainless steel gate, NBR seat (S-170), EPDM (S-171)

S-GATE 172 : stainless steel body, stainless steel gate, EPDM seat

S-GATE 174 : cast iron body, stainless steel gate, Metal seat, under silo knife gate valve

S-GATE 176 : cast iron body, stainless steel gate, metal seat (in-line leakage: 2% kvs)

S-GATE 177/178 : cast iron body, stainless steel gate, EPDM seat (S-177), NBR (S-178), bi-directional tightness

S-GATE 179 : cast iron body, through-going stainless steel gate, EPDM seat, bi-directional tightness

Size 50 to 600, and Size 50 to 300 (S-179) wafer-lug mounting between flanges EN 1092 PN10 thread M.

6 bar compressed air supply

LIMITS OF USE

| | S-170 to S-178 | | S-179 | |
|----------------------------------|--|--------------|---------------|--------------|
| | Pressure of fluid : PS | DN 50 to 200 | 10 bar | DN 50 to 125 |
| DN 250 | | 8 bar | DN 150-200 | 8 bar |
| DN 300 | | 6 bar | DN 250-300 | 6 bar |
| DN 350 to 400 | | 4 bar | DN 350 to 400 | 4 bar |
| DN 450 to 600 | | 3 bar | DN 450 to 600 | 3 bar |
| Temperature du fluid : TS | See below | | | |
| Room temperature | -20°C / +60°C | | | |
| Compressed air supply | Mini : 5 bar / Maxi : 7 bar | | | |
| Fluid | Use not allowed on group 1 dangerous gas for sizes > 100 | | | |

| TS / seat | NBR | EPDM | FPM | PTFE | METAL |
|-------------------------------------|-------|--------|--------|--------|-----------------|
| 170-171-174-177-178-179 : cast iron | -10°C | +0°C | -10°C | +0°C | - |
| 172 : stainless steel | +90°C | +110°C | +150°C | +180°C | - |
| 176 : cast iron | - | - | - | - | -10°C +90°C |
| 176 : caste iron + graphite | - | - | - | - | -10°C +200°C |

RULES AND STANDARDS OF CONSTRUCTION

| Item | Standard |
|-----------------------------|---|
| P.E.D. CE 2014/68 | Category I module A |
| ATEX CE 94/4 | Category 3 Ex II 3G/D TX areas 2 and 22 |
| PN 10 flange's dimension | EN 1092-2 |
| ANSI 150 flanges' dimension | ANSI B16.5 |
| Final testing | EN 12266-1 |

Modification given as an indication only, and subject to possible modifications



optional

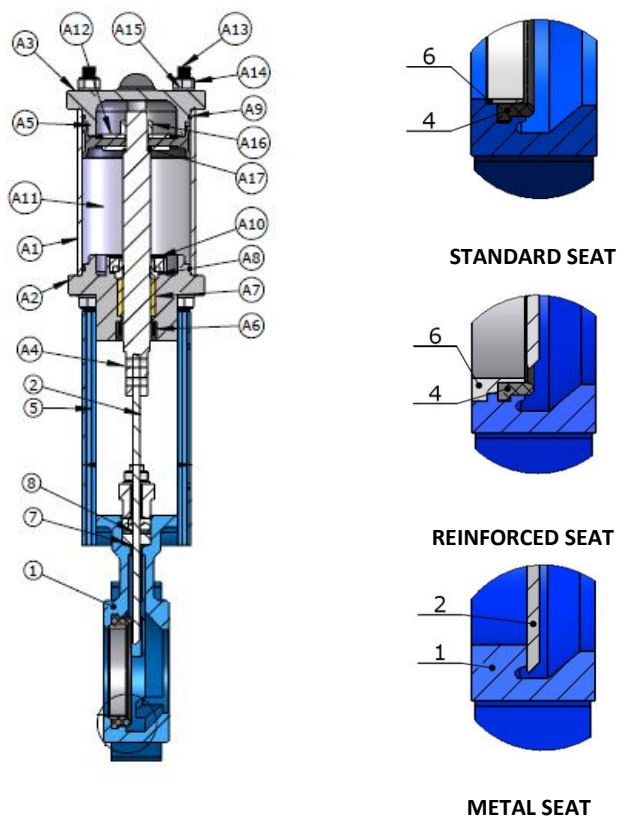


SECTORIEL S.A.
45 rue du Ruisseau
38290 SAINT QUENTIN-FALLAVIER – FRANCE
Tél : +33 4 74 94 90 70 - Fax : +33 4 74 94 13 95
www.sectoriel.com / Email : sectoriel@sectoriel.fr

| | |
|-------|---------------|
| Pages | 1/9 |
| Ref. | TDS170+PN ENG |
| Rev. | 16 |
| Date | 12/2023 |

S-GATE™ KNIFE GATE VALVE WITH PNEUMATIC ACTUATOR

UNI-DIRECTIONAL CONSTRUCTION



| N° | Item | Cast iron S-170/S-171 | | Cast iron S-176 | Stainless steel S-172 |
|-----|--------------------------------|--|------|-----------------|---------------------------|
| | | | | | |
| 1 | Body | epoxy RAL 500S coated EN-GJL 250 cast iron | | | 1.4408 stainless steel |
| 2 | Gate | AISI 304 stainless steel | | | AISI 316 stainless steel |
| 3 | Stuffing's box gland DN50-200 | Aluminium | | | 1.4408 stainless steel |
| 3 | Stuffing's box gland DN250-300 | EN-GJL 250 cast iron | | | 1.4408 stainless steel |
| 4 | Seat | NBR | EPDM | METAL | EPDM |
| 5 | Support | Epoxy coated carbon steel | | | Epoxy coated carbon steel |
| 6 | Ring | AISI 304 stainless steel | | | AISI 316 stainless steel |
| 7 | Packing | PTFE | | | PTFE |
| 8 | O-ring | NBR | | | EPDM |
| A1 | Actuator's body | ASTM 6063 aluminium | | | |
| A2 | Actuator's head | AS10G aluminium | | | |
| A3 | Actuator's cover | Aluminium AS10G | | | |
| A4 | Stem | AISI 410 stainless steel | | | |
| A5 | Piston | NBR | | | |
| A6 | Lip seal | PU | | | |
| A7 | Guide tube | Bronze | | | |
| A8 | Gasket | PU | | | |
| A9 | O-ring | NBR | | | |
| A10 | Blocking's nut | AISI 410 stainless steel | | | |
| A11 | Washer | Carbon steel | | | |
| A12 | Washer | Carbon steel | | | |
| A13 | Tierod | 8.8 steel | | | |
| A14 | Nut | Zinc-plated steel | | | |
| A15 | Washer | Steel | | | |
| A16 | Self locking nut | Steel | | | |
| A17 | O-ring | NBR | | | |

Modification given as an indication only, and subject to possible modifications

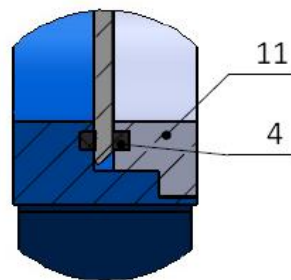


SECTORIEL S.A.
 45 rue du Ruisseau
 38290 SAINT QUENTIN-FALLAVIER – FRANCE
 Tél : +33 4 74 94 90 70 - Fax : +33 4 74 94 13 95
www.sectoriel.com / Email : sectoriel@sectoriel.fr

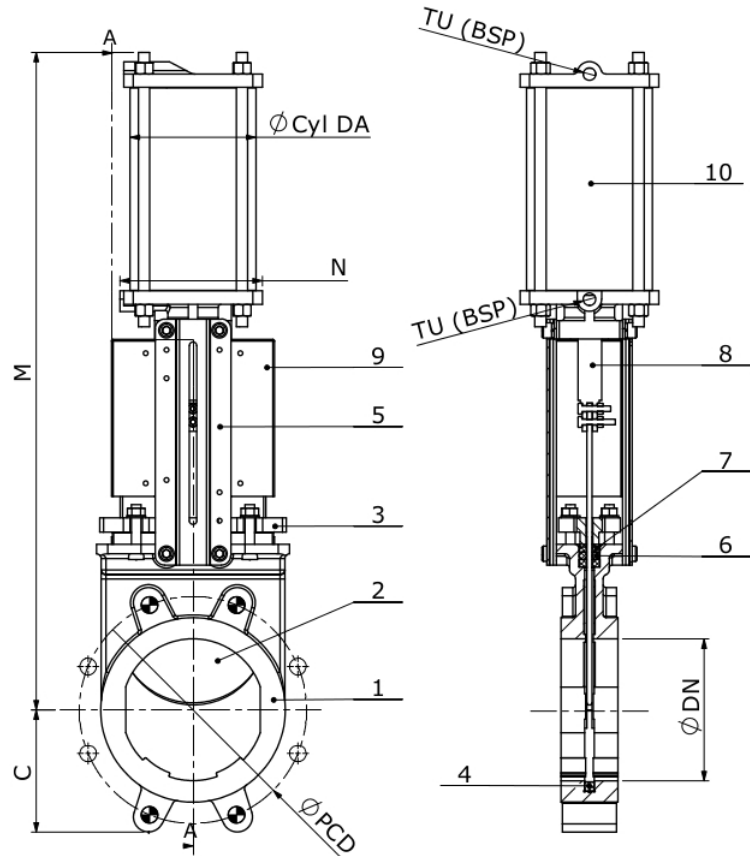
| | |
|-------|---------------|
| Pages | 2/9 |
| Ref. | TDS170+PN ENG |
| Rev. | 16 |
| Date | 12/2023 |

S-GATE™ KNIFE GATE VALVE WITH PNEUMATIC ACTUATOR

BI-DIRECTIONAL CONSTRUCTION




BI-DIRECTIONAL SEAT



| N° | Item | Cast iron S-177 / S-178 | |
|----|--------------------------------|--|-----|
| 1 | Body | epoxy RAL 500S coated EN-GJL 250 cast iron | |
| 2 | Gate | AISI 304 stainless steel | |
| 3 | Stuffing's box gland DN50-200 | Aluminium | |
| 3 | Stuffing's box gland DN250-300 | EN-GJL 250 cast iron | |
| 4 | Seat | EPDM | NBR |
| 5 | Support | Epoxy coated carbon steel | |
| 6 | O-ring | NBR | |
| 7 | Packing | PTFE | |
| 8 | Stem | AISI 410 stainless steel | |
| 9 | Lateral covers | Epoxy coated carbon steel | |
| 10 | Actuator | Aluminium | |
| 11 | Ring | AISI 304 stainless steel | |

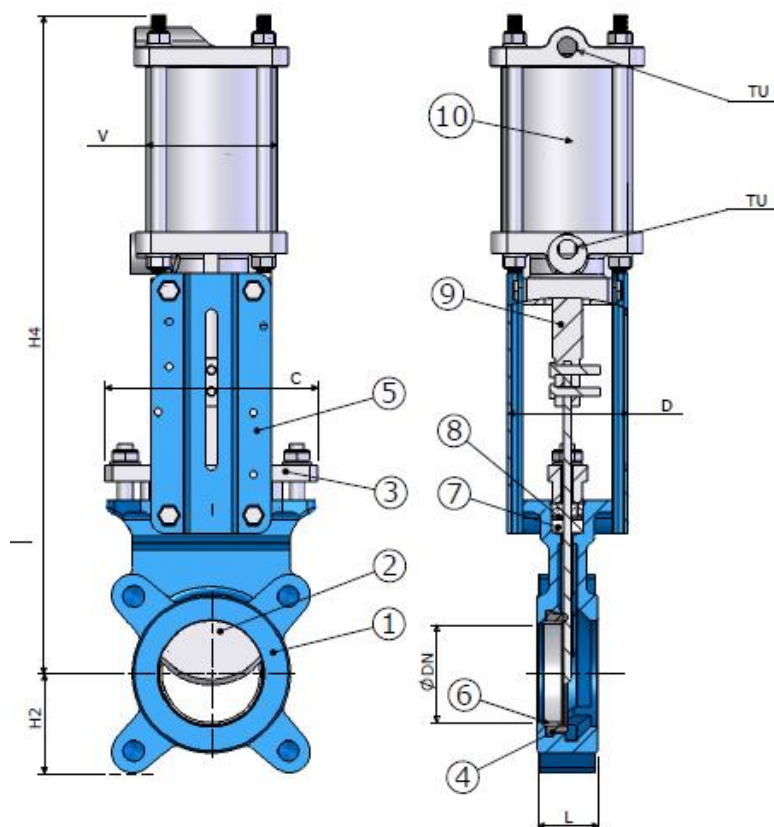
| Maximum fluid's pressure : PS | Size | PS |
|-------------------------------|----------|--------|
| | 50-200 | 10 bar |
| | 250 | 8 bar |
| | 300 | 6 bar |
| | 350-400 | 4 bar |
| | 450-600 | 3 bar |
| | 700-1200 | 2 bar |

Modification given as an indication only, and subject to possible modifications

| | | | |
|---|--|-------|---------------|
|  | SECTORIEL S.A. 45 rue du Ruisseau 38290 SAINT QUENTIN-FALLAVIER – FRANCE Tél : +33 4 74 94 90 70 - Fax : +33 4 74 94 13 95 www.sectoriel.com / Email : sectoriel@sectoriel.fr | Pages | 3/9 |
| | | Ref. | TDS170+PN ENG |
| | | Rev. | 16 |
| | | Date | 12/2023 |
| | | | |


S-GATE™ KNIFE GATE VALVE WITH PNEUMATIC ACTUATOR

DIMENSIONS (mm)



| DN | H2 | H4 | C | D | L | Flanges PN 10 | | | Weight (Kg) |
|-----|-----|------|-----|-----|-----|---------------|----|-----|-------------|
| | | | | | | Ø K | n | M | |
| 50 | 63 | 400 | 125 | 92 | 40 | 125 | 4 | M16 | 9 |
| 65 | 70 | 442 | 140 | 92 | 40 | 145 | 4 | M16 | 11 |
| 80 | 92 | 483 | 155 | 92 | 50 | 160 | 4 | M16 | 12 |
| 100 | 105 | 546 | 175 | 92 | 50 | 180 | 4 | M16 | 13 |
| 125 | 120 | 630 | 190 | 102 | 50 | 210 | 4 | M16 | 18 |
| 150 | 130 | 692 | 220 | 102 | 60 | 240 | 4 | M20 | 22 |
| 200 | 160 | 869 | 275 | 120 | 60 | 295 | 4 | M20 | 40 |
| 250 | 198 | 1032 | 325 | 120 | 70 | 350 | 6 | M20 | 50 |
| 300 | 234 | 1182 | 380 | 120 | 70 | 400 | 6 | M20 | 65 |
| 350 | 256 | 1379 | 440 | 290 | 96 | 460 | 10 | M20 | 120 |
| 400 | 292 | 1535 | 495 | 290 | 100 | 515 | 10 | M24 | 150 |
| 450 | 308 | 1677 | 550 | 290 | 106 | 565 | 14 | M24 | 188 |
| 500 | 340 | 1839 | 615 | 290 | 110 | 620 | 14 | M24 | 220 |
| 600 | 400 | 2145 | 715 | 290 | 110 | 725 | 14 | M27 | 268 |

Modification given as an indication only, and subject to possible modifications

| | | | |
|---|--|-------|---------------|
|  | SECTORIEL S.A. 45 rue du Ruisseau 38290 SAINT QUENTIN-FALLAVIER – FRANCE Tél : +33 4 74 94 90 70 - Fax : +33 4 74 94 13 95 www.sectoriel.com / Email : sectoriel@sectoriel.fr | Pages | 4/9 |
| | | Ref. | TDS170+PN ENG |
| | | Rev. | 16 |
| | | Date | 12/2023 |

S-GATE™ KNIFE GATE VALVE WITH PNEUMATIC ACTUATOR

PNEUMATIC ACTUATION

The standard actuator are sized for following conditions:

- double effect linear actuator with aluminium body,
- 5 to 7 bar lubricated compressed air supply,

The operators are protected against the gate's movement by the lateral covers.

| DN | Actuator's internal diameter Ø (mm) | Actuator's external diameter Ø (mm) | Actuator's volume (liter) | Air's ports TU |
|-----|-------------------------------------|-------------------------------------|---------------------------|----------------|
| 50 | 80 | 96 | 0,4 | G 1/4" |
| 65 | 80 | 96 | 0,5 | G 1/4" |
| 80 | 80 | 96 | 0,6 | G 1/4" |
| 100 | 100 | 115 | 1 | G 1/4" |
| 125 | 125 | 138 | 1,9 | G 1/4" |
| 150 | 125 | 138 | 2,3 | G 1/4" |
| 200 | 160 | 175 | 4,8 | G 1/4" |
| 250 | 200 | 218 | 9,4 | G 1/4" |
| 300 | 200 | 218 | 11,2 | G 1/4" |
| 350 | 250 | 270 | 20 | G 3/8 " |
| 400 | 250 | 270 | 23 | G 3/8 " |
| 450 | 320 | 382 | 51 | G 3/8" |
| 500 | 320 | 382 | 57 | G 1/2" |
| 600 | 320 | 382 | 70 | G 1/2" |

For any other operating conditions, please consult.

OPTIONS FOR THE ACTUATION

| N° | |
|----|---|
| 1 | Filter-regulator on compressed air supply |
| 2 | Filter-regulator-lubricator on compressed air supply |
| 3 | 5/2 monostable pilot solenoid valve, voltage 230V CA, 110V CA, 48V CA, 24V CA, 24V CC, 12V CC |
| 4 | Air break |
| 5 | Silencer |
| 6 | Quick exhaust |
| 7 | Mechanical limit switches Télémécanique XCKM 115 |
| 8 | Position's detector IFM IFS 204, M12 connection |
| 9 | Position's detector P+F NBB4, NCB2 |
| 10 | Simple effect piloting kit |
| 11 | Spring return actuator |
| 12 | Actuator with manual override |
| 13 | Stainless steel support (item.5) |
| 14 | Stainless steel lateral cover |
| 15 | Protection's cover for limit switches |
| 16 | 3 positions piloting (open, closed and intermediate position) |

OPTIONS FOR THE VALVE

| N° | |
|----|--|
| 1 | NBR, EPDM, PTFE, FPM, metal-metal seats |
| 2 | Hight temperature graphited packing |
| 3 | Deflector |
| 4 | Bi-directionnal in-line tightness |
| 5 | Throught conduit gate |
| 6 | ANSI 150 standard flanges connection with threads UNS or M |
| 7 | PN 25 rating |
| 8 | Blow off seat |

"M" OPTION: ACTUATOR WITH MANUAL OVERRIDE

Modification given as an indication only, and subject to possible modifications



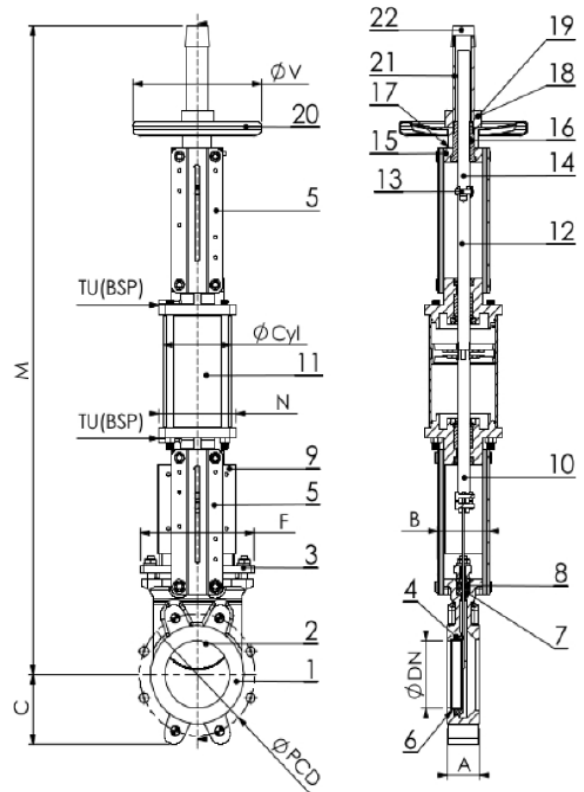
SECTORIEL S.A.
45 rue du Ruisseau
38290 SAINT QUENTIN-FALLAVIER – FRANCE
Tél : +33 4 74 94 90 70 - Fax : +33 4 74 94 13 95
www.sectoriel.com / Email : sectoriel@sectoriel.fr

| | |
|-------|---------------|
| Pages | 5/9 |
| Ref. | TDS170+PN ENG |
| Rev. | 16 |
| Date | 12/2023 |



S-GATE™ KNIFE GATE VALVE WITH PNEUMATIC ACTUATOR

PARTS' LIST

| N° | Item | Cast iron version |
|----|--------------------------------|----------------------|
| 1 | Body | EN-GJL 250 cast iron |
| 2 | Gate | AISI 304 SS |
| 3 | Stuffing's box gland DN50-200 | Aluminium |
| 3 | Stuffing's box gland DN250-300 | EN-GJL 250 cast iron |
| 4 | Seat | NBR |
| 5 | Support | Steel |
| 6 | Ring | AISI 304 SS |
| 7 | Packing | PTFE |
| 8 | O-ring | NBR |
| 9 | Protection's cover | Steel |
| 10 | Stem | AISI 303 SS |
| 11 | Actuator | ALU |
| 12 | Uper stem | AISI 303 SS |
| 13 | Goupille | Steel |
| 14 | Handwheel's stem | AISI 303 SS |
| 15 | Potence | Steel |
| 16 | Bronze nut | Bronze |
| 17 | Washer | Brass |
| 18 | Screw | AISI 304 SS |
| 19 | Handwheel's nut | Steel |
| 20 | Handwheel | Steel |
| 21 | Tube | Steel |
| 22 | Plug | Plastic |



DIMENSIONS (mm)

| DN | A | B | C | D | F | V | M | ØPCD |  |  | deep. | Weight (kg) |
|-----|-----|-----|-----|------|-----|-----|------|------|---|---|-------|-------------|
| 50 | 40 | 92 | 63 | 289 | 124 | 200 | 713 | 125 | 4xM16 | 0 | 8 | 9 |
| 65 | 40 | 92 | 70 | 316 | 139 | 200 | 772 | 145 | 4xM16 | 0 | 8 | 10 |
| 80 | 50 | 92 | 92 | 342 | 154 | 200 | 829 | 160 | 4xM16 | 4 | 10 | 11 |
| 100 | 50 | 92 | 105 | 382 | 174 | 200 | 917 | 180 | 4xM16 | 4 | 10 | 14 |
| 125 | 50 | 102 | 120 | 415 | 192 | 250 | 1075 | 210 | 4xM16 | 4 | 10 | 19 |
| 150 | 60 | 102 | 130 | 458 | 217 | 250 | 1163 | 240 | 4xM20 | 4 | 12 | 22 |
| 200 | 60 | 120 | 160 | 575 | 270 | 300 | 1492 | 295 | 4xM20 | 4 | 12 | 38 |
| 250 | 70 | 120 | 198 | 676 | 326 | 300 | 1810 | 350 | 6xM20 | 6 | 15 | 58 |
| 300 | 70 | 120 | 234 | 776 | 380 | 300 | 2010 | 400 | 6xM20 | 6 | 15 | 72 |
| 350 | 96 | 290 | 256 | 906 | 438 | 500 | 2391 | 460 | 10xM20 | 6 | 19 | 140 |
| 400 | 100 | 290 | 292 | 1012 | 493 | 500 | 2597 | 515 | 10xM24 | 6 | 20 | 164 |
| 450 | 106 | 290 | 308 | 1098 | 546 | 500 | 2888 | 565 | 14xM24 | 6 | 24 | 203 |
| 500 | 110 | 290 | 340 | 1210 | 620 | 500 | 3109 | 620 | 14xM24 | 6 | 24 | 285 |
| 600 | 110 | 290 | 400 | 1416 | 714 | 500 | 3615 | 725 | 14xM27 | 6 | 24 | 378 |

Modification given as an indication only, and subject to possible modifications



SECTORIEL S.A.
 45 rue du Ruisseau
 38290 SAINT QUENTIN-FALLAVIER – FRANCE
 Tél : +33 4 74 94 90 70 - Fax : +33 4 74 94 13 95
www.sectoriel.com / Email : sectoriel@sectoriel.fr

| | |
|-------|---------------|
| Pages | 6/9 |
| Ref. | TDS170+PN ENG |
| Rev. | 16 |
| Date | 12/2023 |

S-GATE™ KNIFE GATE VALVE WITH PNEUMATIC ACTUATOR

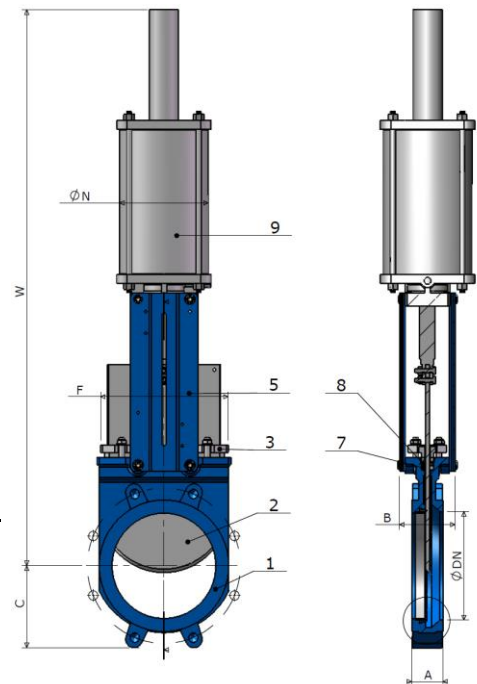
" S " OPTION: SPRING RETURN ACTUATOR

PARTS' LIST

| N° | Item | Cast iron version | Stainless steel version |
|----|--------------------------------|----------------------|-------------------------|
| 1 | Body | EN-GJL 250 cast iron | Stainless steel 1.4408 |
| 2 | Gate | AISI 304 SS | AISI 316 SS |
| 3 | Stuffing's box gland DN50-200 | Aluminium | Stainless steel 1.4408 |
| 3 | Stuffing's box gland DN250-300 | EN-GJL 250 cast iron | Stainless steel 1.4408 |
| 4 | Seat | NBR | EPDM |
| 5 | Support | STEEL | STEEL |
| 6 | Ring | Strainless steel 304 | AISI 316 SS |
| 7 | Packing | PTFE | PTFE |
| 8 | O-ring | NBR | EPDM |
| 9 | Actuator | Aluminium | |

DIMENSION (mm)

| DN | A | B | C | F | W | N |
|-----|----|-----|-----|-----|------|-----|
| 50 | 40 | 92 | 63 | 125 | 720 | 96 |
| 65 | 40 | 92 | 70 | 140 | 766 | 96 |
| 80 | 50 | 92 | 92 | 155 | 810 | 96 |
| 100 | 50 | 92 | 105 | 175 | 875 | 115 |
| 125 | 50 | 102 | 120 | 190 | 975 | 138 |
| 150 | 60 | 102 | 130 | 220 | 1066 | 138 |
| 200 | 60 | 119 | 160 | 175 | 1380 | 175 |
| 250 | 70 | 119 | 198 | 325 | 1792 | 218 |
| 300 | 70 | 119 | 234 | 380 | 1932 | 218 |



OPTION: USE IN HAZARDOUS EXPLOSIBLE ATMOSPHERE

Optional, the S-GATE valve can be adapted for a use in hazardous explosive area. This version is registered as category 3 equipment following the CE ATEX 94/9 directive. It can be installed in the areas 2 and 22. The respect of the special instructions for mounting and maintenance of S-GATE valve in hazardous explosive atmosphere is mandatory.

Marking of the valve is following:

| | | |
|---|----------------------|--------------------------|
| SECTORIEL S.A. | | S-GATE® |
| F-38290 SAINT QUENTIN-FALLAVIER | | |
| ANNEE | <input type="text"/> | REF <input type="text"/> |
| N° DE SERIE | | <input type="text"/> |
| | | |
| Respecter impérativement les instructions de montage et d'utilisation | | |

"B" OPTION: SEAT BLOW OFF

This option makes possible the cleaning of the seat by compressed air blow off. The blow off frequency is piloted by a 2/2 NC solenoid valve.



Modification given as an indication only, and subject to possible modifications

| | | | |
|--|---|-------|---------------|
| | SECTORIEL S.A. | Pages | 7/9 |
| | 45 rue du Ruisseau | Ref. | TDS170+PN ENG |
| | 38290 SAINT QUENTIN-FALLAVIER – FRANCE | Rev. | 16 |
| | Tél : +33 4 74 94 90 70 - Fax : +33 4 74 94 13 95 | Date | 12/2023 |
| | www.sectoriel.com / Email : sectoriel@sectoriel.fr | | |

S-GATE™ KNIFE GATE VALVE WITH PNEUMATIC ACTUATOR

" T " OPTION : THROUG-GOING WITH DOUBLE EFFECT ACTUATOR

PARTS' LIST

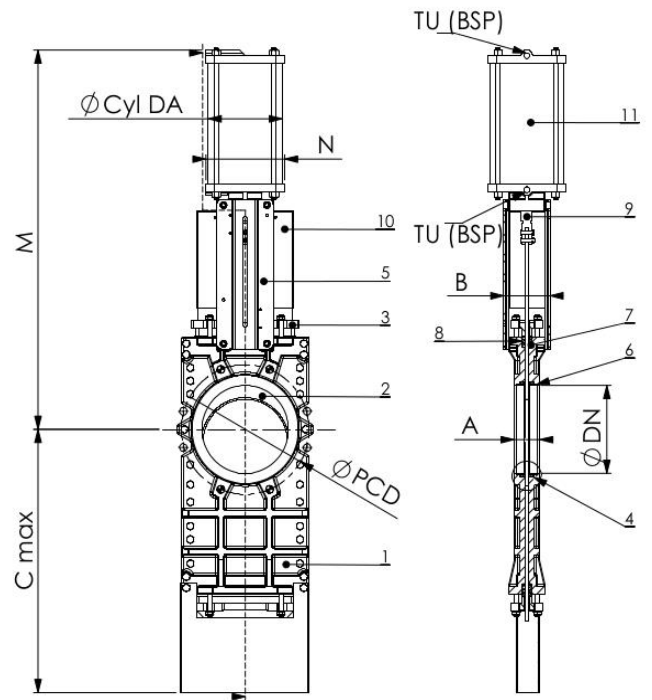
| N° | Item | Cast iron version | Stainless steel version |
|----|------------|---------------------|-------------------------|
| 1 | Body | GG25 | Stainless steel CFM8 |
| 2 | Gate | Stainless steel 304 | Stainless steel 316 |
| 3 | Gland | DI | Stainless steel CF8M |
| 4 | Seat | EPDM | EPDM |
| 5 | Support | Steel | Steel |
| 6 | Retainer | Stainless steel 304 | Stainless steel 316 |
| 7 | Packing | PTFE | PTFE |
| 8 | O-ring | FKM | FKM |
| 9 | Stem | Stainless steel 304 | Stainless steel 304 |
| 10 | Protection | Steel | Steel |
| 11 | Actuator | Aluminium | |



Reinforced



Metal



DIMENSIONS (mm)

| DN | A | B | C max | M | Cyl DA | N | TU(PSD) | ØPCD | | | deep. | Weight (kg) |
|-----|-----|-----|-------|------|--------|-----|---------|------|--------|---|-------|-------------|
| 50 | 40 | 92 | 225 | 400 | 80 | 96 | 1/4" | 125 | 4xM16 | 0 | 9 | 12 |
| 65 | 40 | 92 | 265 | 445 | 80 | 96 | 1/4" | 145 | 4xM16 | 0 | 9 | 13 |
| 80 | 50 | 92 | 305 | 485 | 80 | 96 | 1/4" | 160 | 4xM16 | 4 | 10 | 17 |
| 100 | 50 | 92 | 365 | 550 | 100 | 115 | 1/4" | 180 | 4xM16 | 4 | 10 | 20 |
| 125 | 50 | 102 | 430 | 630 | 125 | 138 | 1/4" | 210 | 4xM16 | 4 | 10 | 31 |
| 150 | 60 | 102 | 495 | 695 | 125 | 138 | 1/4" | 240 | 4xM20 | 4 | 11 | 41 |
| 200 | 60 | 120 | 630 | 870 | 160 | 175 | 1/4" | 295 | 4xM20 | 4 | 11 | 58 |
| 250 | 70 | 120 | 765 | 1035 | 200 | 218 | 3/8" | 350 | 8xM20 | 4 | 13 | 97 |
| 300 | 70 | 120 | 895 | 1185 | 200 | 218 | 3/8" | 400 | 8xM20 | 4 | 13 | 121 |
| 350 | 96 | 290 | 1020 | 1380 | 250 | 270 | 3/8" | 460 | 12xM20 | 4 | 22 | 177 |
| 400 | 100 | 290 | 1165 | 1540 | 250 | 270 | 3/8" | 515 | 12xM24 | 4 | 22 | 251 |
| 450 | 106 | 290 | 1325 | 1680 | 320 | 382 | 1/2" | 565 | 16xM24 | 4 | 24 | 389 |
| 500 | 110 | 290 | 1450 | 1840 | 320 | 382 | 1/2" | 620 | 16xM24 | 4 | 24 | 534 |
| 600 | 110 | 290 | 1750 | 2145 | 320 | 382 | 1/2" | 725 | 16xM27 | 4 | 24 | 597 |

Modification given as an indication only, and subject to possible modifications



SECTORIEL S.A.
45 rue du Ruisseau
38290 SAINT QUENTIN-FALLAVIER – FRANCE
Tél : +33 4 74 94 90 70 - Fax : +33 4 74 94 13 95
www.sectoriel.com / Email : sectoriel@sectoriel.fr

| | |
|-------|---------------|
| Pages | 8/9 |
| Ref. | TDS170+PN ENG |
| Rev. | 16 |
| Date | 12/2023 |

S-GATE™ KNIFE GATE VALVE WITH PNEUMATIC ACTUATOR

" B " OPTION : UNDER SILO KNIFE GATE VALVE WITH DOUBLE EFFECT ACTUATOR

PARTS' LIST

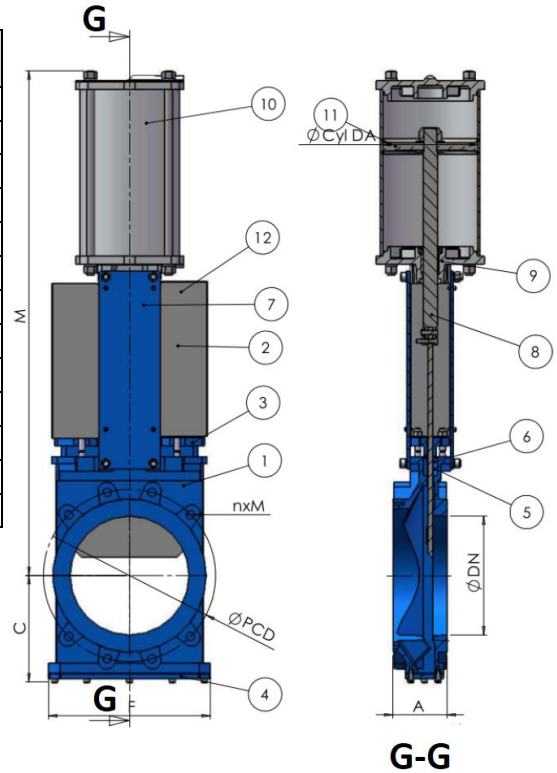
| N° | Item | Cast iron version | Stainless steel version |
|----|-----------------|--------------------------|-------------------------|
| 1 | Body | GGG40 | Stainless steel 1.4408 |
| 2 | Gate | Stainless steel 304 | Stainless steel 316 |
| 3 | Gland | DI | Stainless steel 1.4408 |
| 4 | Cover | GGG40 | Stainless steel 316 |
| 5 | Packing | PTFE | PTFE |
| 6 | O-ring | NBR | EPDM |
| 7 | Support plate | Steel | Steel |
| 8 | Shaft | Stainless steel AISI 410 | |
| 9 | Flange actuator | Aluminium | |
| 8 | O-ring | FKM | FKM |
| 10 | Actuator | Aluminium | |
| 11 | Piston | NBR + steel | |
| 12 | Cover | Steel | |



tightness
Metal / Metal



Reinforced
standard tightness



- **Blowing openings** : 4 x G1/4"

DIMENSIONS (mm)

| DN | A | C | M | Cyl DA | N | TU(PSD) | ØPCD | | | prof. |
|-----|-----|-----|------|--------|-----|---------|------|--------|---|-------|
| 50 | 60 | 91 | 498 | 80 | 96 | 1/4" | 125 | 4xM16 | 0 | 9 |
| 65 | 60 | 98 | 550 | 80 | 96 | 1/4" | 145 | 4xM16 | 0 | 9 |
| 80 | 64 | 121 | 608 | 80 | 96 | 1/4" | 160 | 4xM16 | 4 | 10 |
| 100 | 64 | 134 | 680 | 100 | 115 | 1/4" | 180 | 4xM16 | 4 | 10 |
| 125 | 70 | 148 | 774 | 125 | 138 | 1/4" | 210 | 4xM16 | 4 | 10 |
| 150 | 76 | 160 | 866 | 125 | 138 | 1/4" | 240 | 4xM20 | 4 | 11 |
| 200 | 89 | 188 | 1090 | 160 | 175 | 1/4" | 295 | 4xM20 | 4 | 11 |
| 250 | 114 | 224 | 1287 | 200 | 218 | 3/8" | 350 | 8xM20 | 4 | 13 |
| 300 | 114 | 260 | 1462 | 200 | 218 | 3/8" | 400 | 8xM20 | 4 | 13 |
| 350 | 127 | 285 | 1724 | 250 | 270 | 3/8" | 460 | 12xM20 | 4 | 22 |
| 400 | 140 | 320 | 1899 | 250 | 270 | 3/8" | 515 | 12xM24 | 4 | 22 |
| 450 | 152 | 336 | 2081 | 320 | 382 | 1/2" | 565 | 16xM24 | 4 | 24 |
| 500 | 152 | 370 | 2267 | 320 | 382 | 1/2" | 620 | 16xM24 | 4 | 24 |
| 600 | 178 | 428 | 2620 | 320 | 382 | 1/2" | 725 | 16xM27 | 4 | 24 |

Modification given as an indication only, and subject to possible modifications



SECTORIEL S.A.
45 rue du Ruisseau
38290 SAINT QUENTIN-FALLAVIER – FRANCE
Tél : +33 4 74 94 90 70 - Fax : +33 4 74 94 13 95
www.sectoriel.com / Email : sectoriel@sectoriel.fr

| | |
|-------|---------------|
| Pages | 9/9 |
| Ref. | TDS170+PN ENG |
| Rev. | 16 |
| Date | 12/2023 |