

STAINLESS STEEL 2 PIECES DISC CHECK VALVE FEMALE BSP METAL SEAT

2 pieces stainless steel disc check valve female BSP for chemical and pharmaceutical industries, petrochemical industries, hydraulic installation, compressed air and water.

Disc type with spring for all positions.

Stainless steel EN 1.4408 body and disc, metal seat.

Compatible with explosive atmosphere, ATEX Zone 1&21 and Zone 2&22.



Certificate

3.1



Size : DN1/4" to DN4"

Connection : Female BSP

Min Temperature : -20°C

Max Temperature : +180°C

Max Pressure : 63 Bars

Specifications : Disc with spring type

All positions

Metal seat

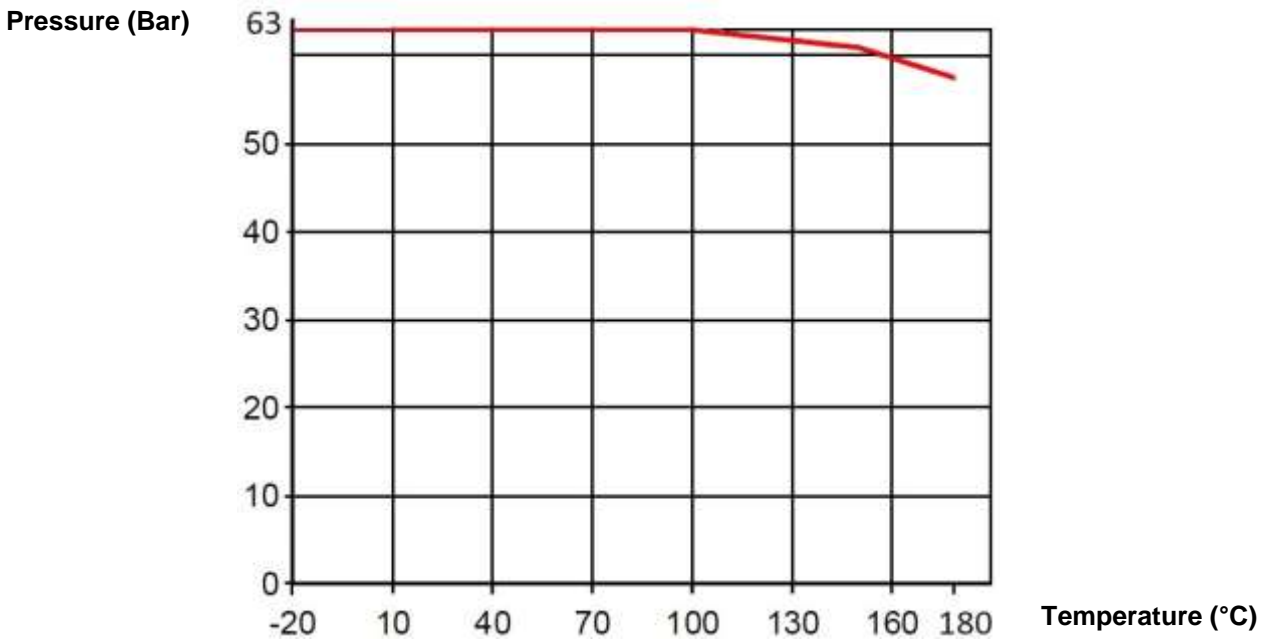
Materials : Stainless steel EN 1.4408

STAINLESS STEEL 2 PIECES DISC CHECK VALVE FEMALE BSP METAL SEAT
SPECIFICATIONS :

- 2 pieces disc with spring check valve
- All positions (respect the flow direction indicated by the arrow)
- Short length
- Metal seat

USE :

- Chemical and pharmaceutical industries, petrochemical industries, hydraulic installation, compressed air, water
- Steam : 10 bars max at 180°C
- Min Temperature Ts : - 20°C
- Max Temperature Ts :+ 180°C
- Max Pressure Ps : 63 bars (see graph under)

PRESSURE / TEMPERATURE GRAPH :

FLOW COEFFICIENT Kvs (M3 / h) :

DN	1/4"	3/8"	1/2"	3/4"	1"	1"1/4	1"1/2	2"	2"1/2	3"	4"
Kvs (m3/h)	0.18	1.11	3.3	7.1	12.7	14.1	22.5	31.5	54	75	110

OPENING PRESSURE (in mbar) :

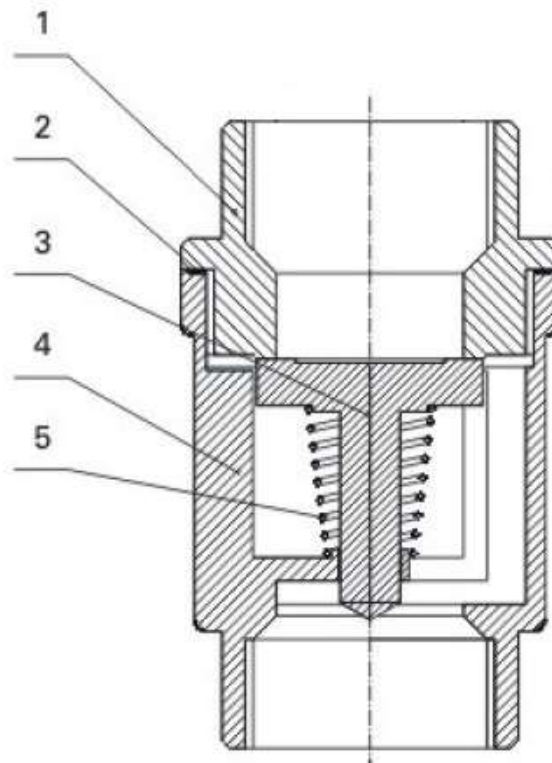
DN	1/4"	3/8"	1/2"	3/4"	1"	1"1/4	1"1/2	2"	2"1/2	3"	4"
Opening pressure (mbar)	80/90	60/70	55/65	50/60	45/50	35/40	25/30		20/25		

STAINLESS STEEL 2 PIECES DISC CHECK VALVE FEMALE BSP METAL SEAT

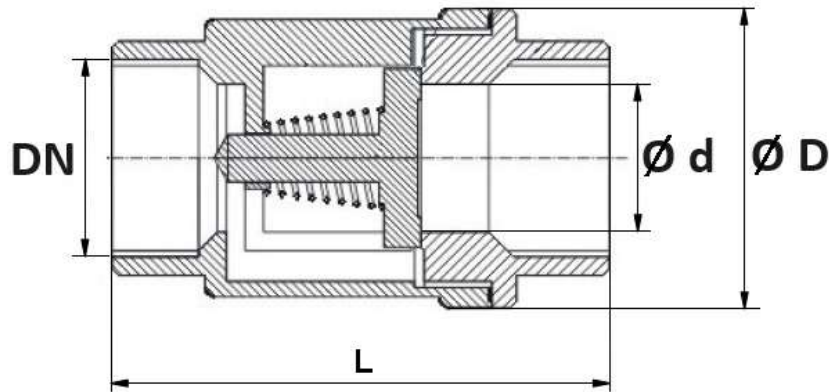
RANGE :

- Female / female threaded BSP cylindrical 2 pieces disc check valve metal seat **Ref. 3291** from DN1/4" to DN4"

MATERIALS :



Item	Designation	Materials
1	Bonnet	EN 1.4408
2	Gasket	PTFE
3	Disc	EN 1.4408
4	Body	
5	Spring	AISI 316

STAINLESS STEEL 2 PIECES DISC CHECK VALVE FEMALE BSP METAL SEAT
SIZE (in mm) :


DN	1/4"	3/8"	1/2"	3/4"	1"	1"1/4"	1"1/2"	2"	2"1/2"	3"	4"
Ø d	8	10	15	20	25	30	38	47	61	75	94
Ø D	30.5		37	42	48	58	70	82	102.5	120	150
L	53		56	63	74	81	91	97	118	138	158
Weig. (Kg)	0.17	0.15	0.21	0.29	0.4	0.65	0.98	1.4	2.44	3.8	6.6
Ref.	329102	329103	329104	329105	329106	329107	329108	329109	329110	329111	329112

STANDARDS :

- Manufacturer certified ISO 9001 : 2015 and ISO 14001 : 2015
- DIRECTIVE 2014/68/EU : For liquids and gas of Group 1
 - DN1/4"-1" : Article 4, §3 (SEP), no CE marking
 - DN1"1/4-4" : Risk Category II, CE0036 marking
- Certificate 3.1 on request
- Pressure tests according to API 598, table 6
- BSP threaded cylindrical ends according to ISO 7/1 Rp
- ATEX Group II Category 2 G/2D Zone 1 & 21 Zone 2 & 22 (optional marking)

ADVICE : Our opinion and our advice are not guaranteed and SFERACO shall not be liable for the consequences of damages. The customer must check the right choice of the products with the real service conditions.