

STAINLESS STEEL 2 PIECES DISC CHECK VALVE FEMALE BSP FKM SEAT

2 pieces stainless steel disc check valve female BSP for chemical and pharmaceutical industries, petrochemical industries, hydraulic installation, compressed air and water.

Disc type with spring for all positions.

Stainless steel EN 1.4408 body and disc, FKM seat.

Compatible with explosive atmosphere, ATEX Zone 1&21 and Zone 2&22.



Certificate

3.1



PED 2014/68/UE



Size : DN1/4" to DN2"

Connection : Female BSP

Min Temperature : -20°C

Max Temperature : +180°C

Max Pressure : 63 Bars

Specifications : Disc with spring type

All positions

FKM seat

Materials : Stainless steel EN 1.4408

STAINLESS STEEL 2 PIECES DISC CHECK VALVE FEMALE BSP FKM SEAT

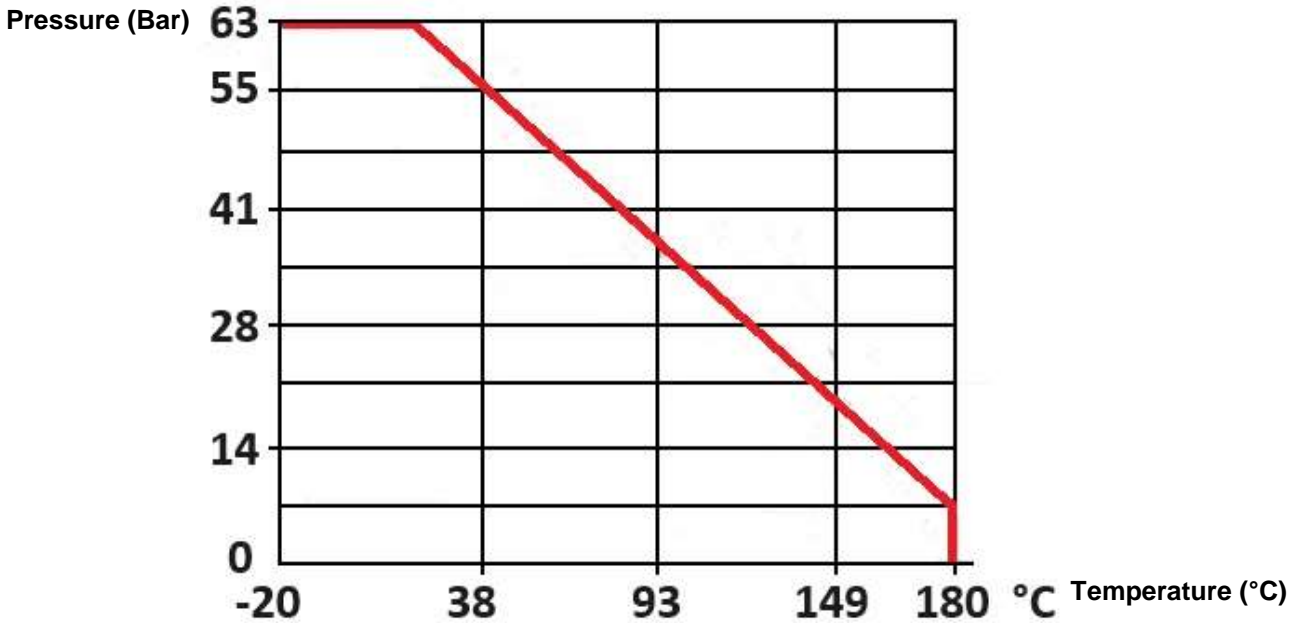
SPECIFICATIONS :

- 2 pieces disc with spring check valve
- All positions (respect the flow direction indicated by the arrow)
- Short length
- FKM seat

USE :

- Chemical and pharmaceutical industries, petrochemical industries, hydraulic installation, compressed air, water
- Min Temperature Ts : - 20°C
- Max Temperature Ts :+ 180°C
- Max Pressure Ps : 63 bars (see graph under)

PRESSURE / TEMPERATURE GRAPH :



FLOW COEFFICIENT Kvs (M3 / h) :

DN	1/4"	3/8"	1/2"	3/4"	1"	1"1/4"	1"1/2"	2"
Kvs (m3/h)	0.18	1.11	3.3	7.1	12.7	14.1	22.5	31.5

OPENING PRESSURE (in mbar) :

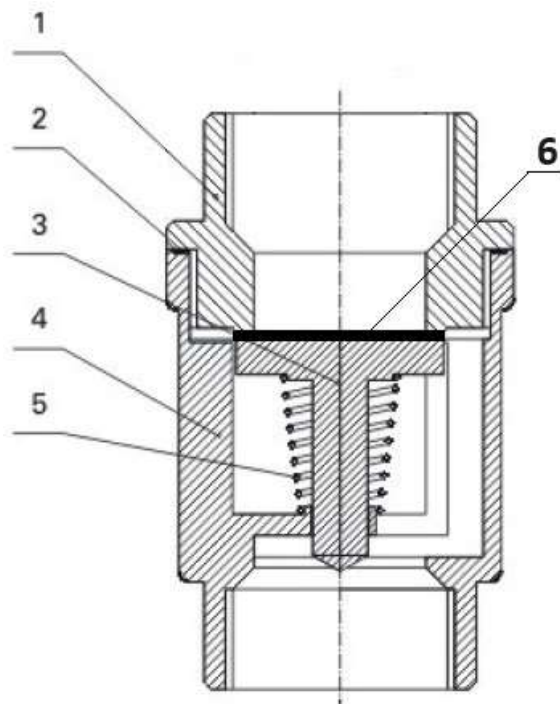
DN	1/4"	3/8"	1/2"	3/4"	1"	1"1/4"	1"1/2"	2"
Opening pressure (mbar)	80/90	60/70	55/65	50/60	45/50	35/40	25/30	

STAINLESS STEEL 2 PIECES DISC CHECK VALVE FEMALE BSP FKM SEAT

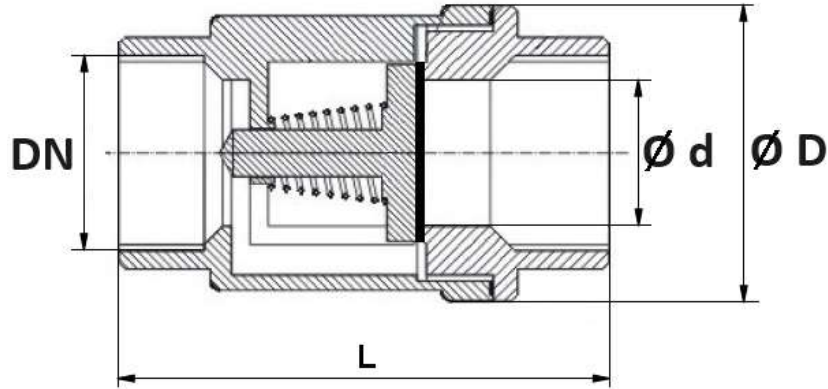
RANGE :

- Female / female threaded BSP cylindrical 2 pieces disc check valve FKM seat **Ref. 3292** from DN1/4" to DN2"

MATERIALS :



Item	Designation	Materials
1	Bonnet	EN 1.4408
2	Gasket	PTFE
3	Disc	EN 1.4408
4	Body	
5	Spring	AISI 316
6	Seat	FKM

STAINLESS STEEL 2 PIECES DISC CHECK VALVE FEMALE BSP FKM SEAT
SIZE (in mm) :


DN	1/4"	3/8"	1/2"	3/4"	1"	1"1/4"	1"1/2"	2"
Ø d	8	10	15	20	25	30	38	47
Ø D	30.5		37	42	48	58	70	82
L	53		56	63	74	81	91	97
Weight (Kg)	0.17	0.15	0.21	0.29	0.4	0.65	0.98	1.4
Ref.	329202	329203	329204	329205	329206	329207	329208	329209

STANDARDS :

- Manufacturer certified ISO 9001 : 2015 and ISO 14001 : 2015
- DIRECTIVE 2014/68/EU : For liquids and gas of Group 1
 - DN1/4"-1" : Article 4, §3 (SEP), no CE marking
 - DN1"1/4-4" : Risk Category II, CE0036 marking
- Certificate 3.1 on request
- Pressure tests according to API 598, table 6
- BSP threaded cylindrical ends according to ISO 7/1 Rp
- ATEX Group II Category 2 G/2D Zone 1 & 21 Zone 2 & 22 (optional marking)

ADVICE : Our opinion and our advice are not guaranteed and SFERACO shall not be liable for the consequences of damages. The customer must check the right choice of the products with the real service conditions.