

DUCTILE IRON GLOBE VALVE WITH BELLOW PN16/25 ICP DIN 3202-1 F1

Ductile iron globe valve flanged PN16/25 for no corrosive fluids, steam, air, thermic fluids, cold and hot water.
Stainless steel bellow and graphite gasket.
Anti-turn device to avoid the risk of torsion of bellows.
Pressure equalizing plug in DN200
Bolted bonnet and packing for an easy maintenance.
Compatible with explosive atmosphere, ATEX Zone 1&21 and Zone 2&22 (optional marking).



Size : DN15 to DN200
Connection : Flanged PN16/25 RF
Min Temperature : -10°C
Max Temperature : +350°C
Max Pressure : 25 bars up to DN50 (16 bars over)
Specifications : Non rising stem
Stainless steel bellow
Bolted bonnet and packing

Materials : Ductile iron EN GJS-400-18

DUCTILE IRON GLOBE VALVE WITH BELLOW PN16/25 ICP DIN 3202-1 F1

SPECIFICATIONS :

- Respect the flow direction indicated by the arrow
- Non rising stem
- Bolted bonnet and gland pack
- Stainless steel bellow
- Pressure equalizing plug in DN200
- Pressed seat in the body
- Anti-turn device to avoid the risk of torsion of bellows
- Flanges R.F. PN25 up to DN50, PN16 over
- RAL 9006 grey painting, 40µm thickness

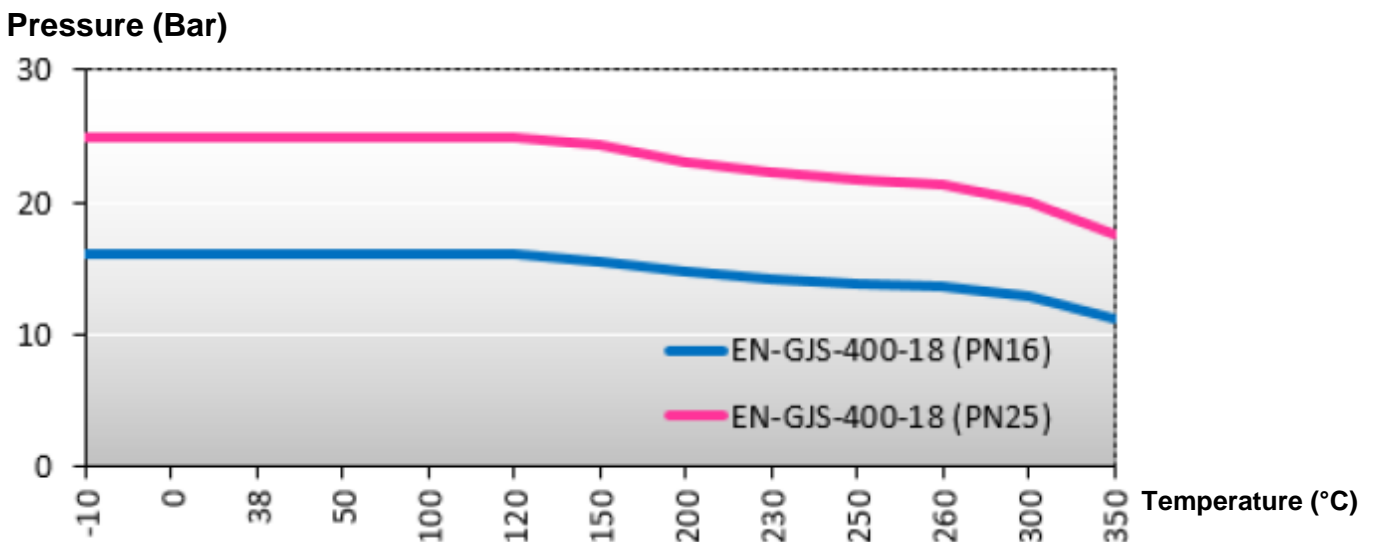
USE :

- For no corrosive fluids, steam, air, thermic fluids, cold and hot water
- Min and Max Temperature Ts : - 10°C to + 350°C
- Max Pressure Ps : 25 bars up to DN50, 16 over (see graph)
- Δp 16 bars max for DN125, 15 bars max for DN150, 16 bars max for DN200
- Steam : 22 bars max up to DN50, 14 bars over
- Keep greased the stem

FLOW COEFFICIENT Kvs (M3 / h) :

DN	15	20	25	32	40	50	65	80	100	125	150	200
Kvs (m3/h)	3.8	7	10	19	35	43	60	110	146	210	300	670

PRESSURE / TEMPERATURE GRAPH :

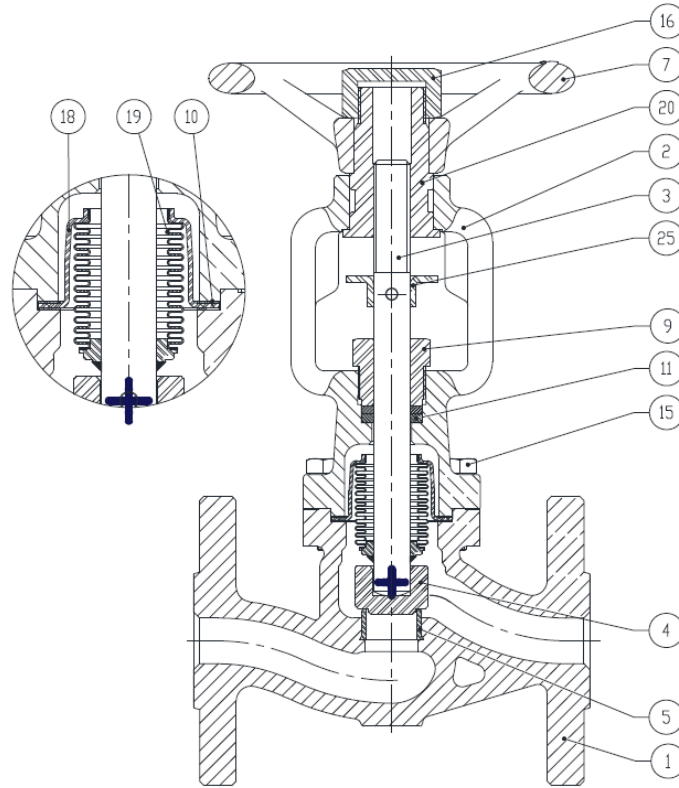


RANGE :

- Ductile iron globe valve with stainless steel bellow flanged R.F. PN25 up to DN50, PN16 over **Ref. 476** DN 15 to DN 200

DUCTILE IRON GLOBE VALVE WITH BELLOW PN16/25 ICP DIN 3202-1 F1


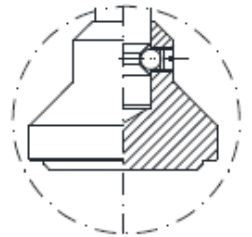
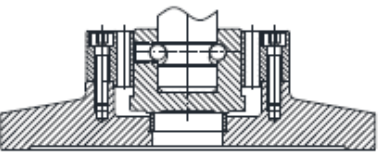

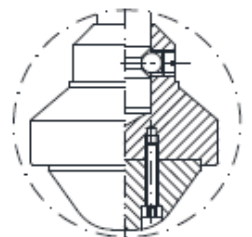
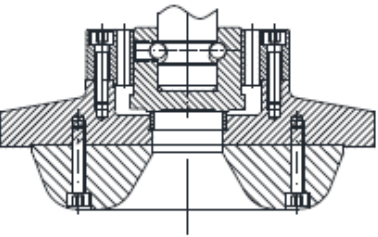
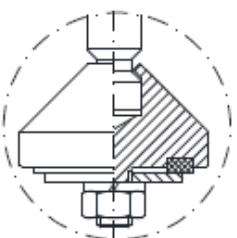
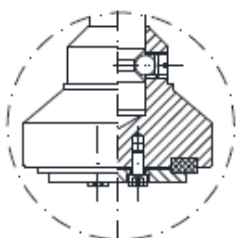
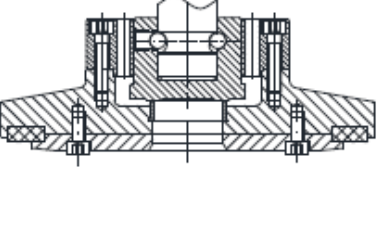
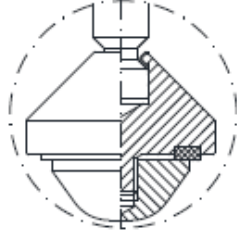
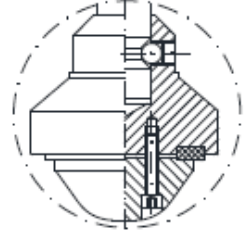
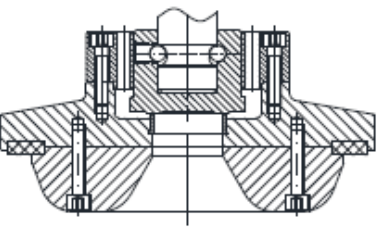
MATERIALS :



Item	Designation	Materials DN15-50	Materials DN65-200
1	Body	Ductile iron EN GJS-400-18	Ductile iron EN GJS-400-18
2	Bonnet	EN 1.0619	
3	Stem	AISI 304 (1.4301)	
4	Disc	AISI 420 (X20 Cr13)	
5	Seat	X4 CrNi 13 4 (CA6NM)	
7	Handwheel	ASTM A216 WCB	
9	Gland	Steel 1.1191 + ZP	
10	Gasket	Graphite	
11	Packing		
15	Screw	A 193 B7M	
16	Handwheel nut	Steel 1.1191 + ZP	
18	Hood	AISI 304 (1.4301)	
19	Bellow		
20	Threaded bushing	Steel 1.1191 +HT65+ ENP	
25	Anti turn device	Steel S235 JR+ZP	
	Lubricator	Brass	

DUCTILE IRON GLOBE VALVE WITH BELLOW PN16/25 ICP DIN 3202-1 F1

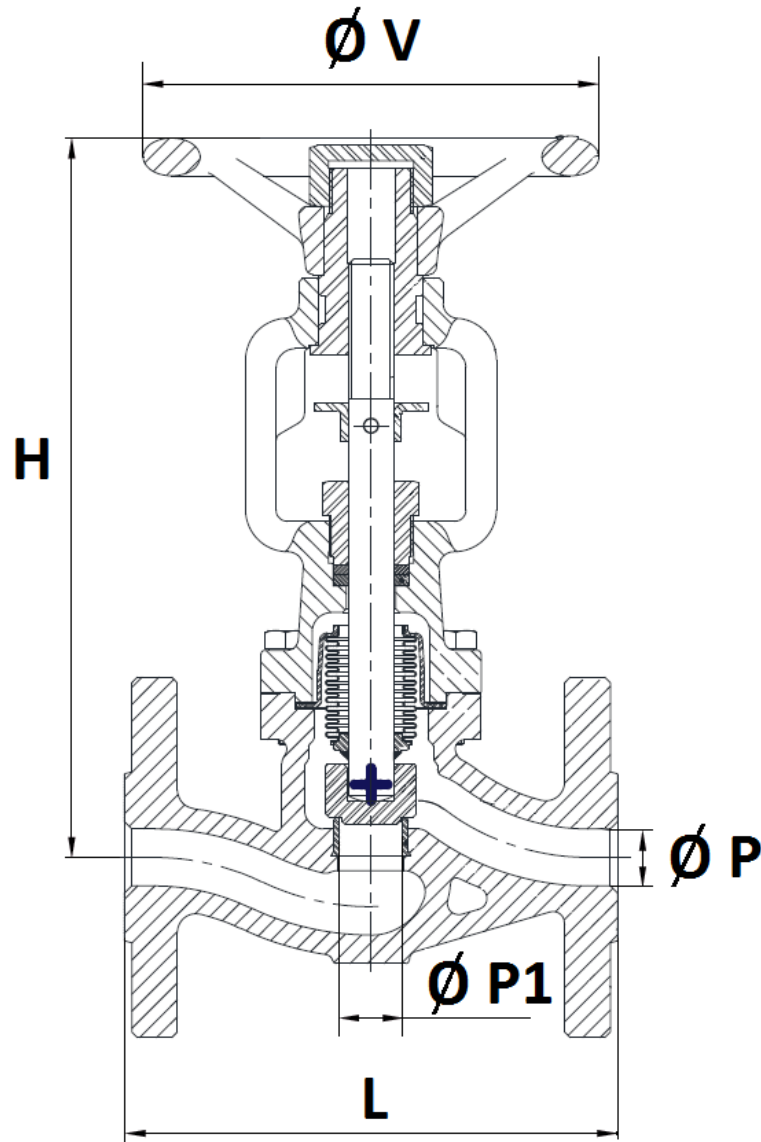
DISC OPTIONS :

DN 15-65	DN 80-150	DN 200
STANDARD DISC		
		
OPTION A : THROTTLING PLUG*		
		
OPTION B : DISC WITH SOFT SEAT*		
		
OPTION C : THROTTLING PLUG + SOFT SEAT*		
		

* :ON REQUEST

DUCTILE IRON GLOBE VALVE WITH BELLOW PN16/25 ICP DIN 3202-1 F1

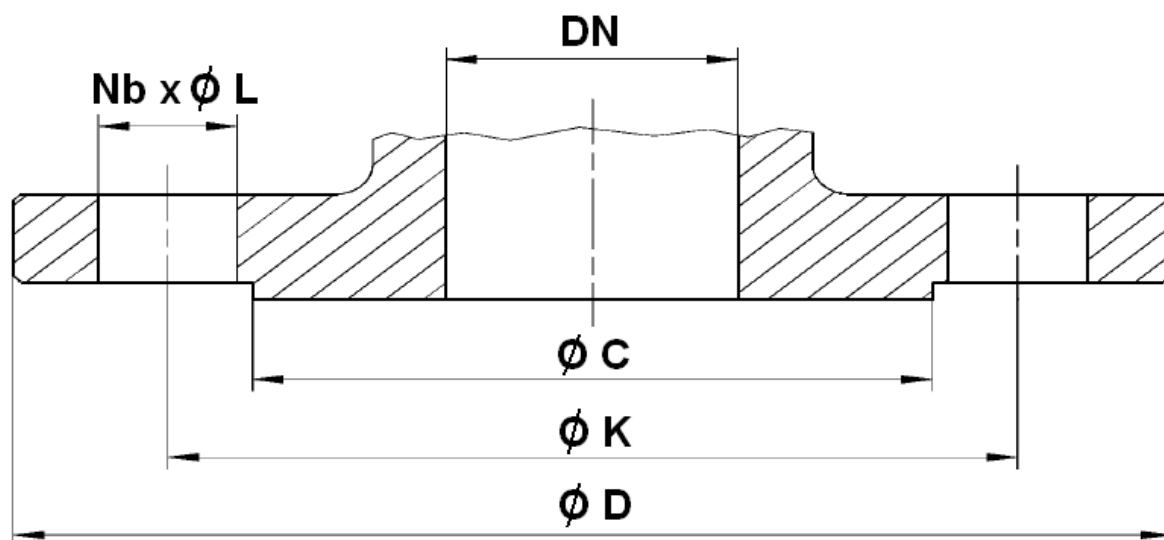
SIZE (in mm) :



DN	15	20	25	32	40	50	65	80	100	125	150	200
L	130	150	160	180	200	230	290	310	350	400	480	600
Ø P	15	20	25	32	40	50	65	80	100	125	150	200
Ø P1	16.5	20.5	25.2	30	40.8	50.5	66	81	104.5	126	150.5	205
H	190	195	220	219	256	265	328	341	376	488	531	685
Ø V	120		140		180		200		250	400		
Weight (Kg)	3.2	4.4	4.8	6.3	11	13	21.3	26.4	40	53.5	84	157
Ref.	476015	476020	476025	476032	476040	476050	476065	476080	476100	476125	476150	476200

DUCTILE IRON GLOBE VALVE WITH BELLOW PN16/25 ICP DIN 3202-1 F1

FLANGES SIZE (in mm) :



DN	15	20	25	32	40	50	65	80	100	125	150	200
Ø C	46	56	65	76	84	99	118	132	156	184	211	266
Ø D	95	105	115	140	150	165	185	200	220	250	285	340
Ø K	65	75	85	100	110	125	145	160	180	210	240	295
Nb x Ø L	4 x 14	4 x 14	4 x 14	4 x 19	4 x 19	4 x 19	4 x 19	8 x 19	8 x 19	8 x 19	8 x 23	12 x 23

DUCTILE IRON GLOBE VALVE WITH BELLOW PN16/25 ICP DIN 3202-1 F1

STANDARDS :

- Manufacturer certified ISO 9001 : 2015
- DIRECTIVE 2014/68/EU : For liquids and gas of Group 1
 - DN15-50 : Article 4, §3 (SEP), no CE marking
 - DN65-80 : Risk Category I, CE marking
 - DN100-125 : Risk Category II, CE 0035 marking
 - DN150-200 : Risk Category III, CE 0035 marking
- Certificate 3.1 on request
- Designing according to DIN 3840
- Marking according to EN 19
- Pressure Tests according to EN 12266-1, Rate A
- Length according to EN 558 series 1 (DIN 3202-1 F1)
- Flanges R.F. according to EN 1092-2 PN16-PN25
- ATEX Group II Category 2 G/2Dc Zone 1 & 21 Zone 2 & 22 (optional marking) according to directive 2014/34/EU

ADVICE : Our opinion and our advice are not guaranteed and SFERACO shall not be liable for the consequences of damages. The customer must check the right choice of the products with the real service conditions.