

STAINLESS STEEL NEEDLE VALVE THREADED FEMALE BSP PN400

Stainless steel needle valve female bsp reduced bore for closing or setting network of common fluids of 1st group.
PTFE packing and FKM O ring on stem.
Monoblock design for a better mechanical resistance.
Compatible with explosive atmosphere, ATEX Zone 1&21 and Zone 2&22 (optional marking).

Certificate
3.1



Size : DN1/4" to DN1"
Connection : Female BSP
Min Temperature : -20°C
Max Temperature : +180°C
Max Pressure : 400 Bars
Specifications : Rising rotating stem
1 piece type
Reduced bore
PTFE packing and FKM O ring

Materials : Stainless steel EN 1.4408

STAINLESS STEEL NEEDLE VALVE THREADED FEMALE BSP PN400

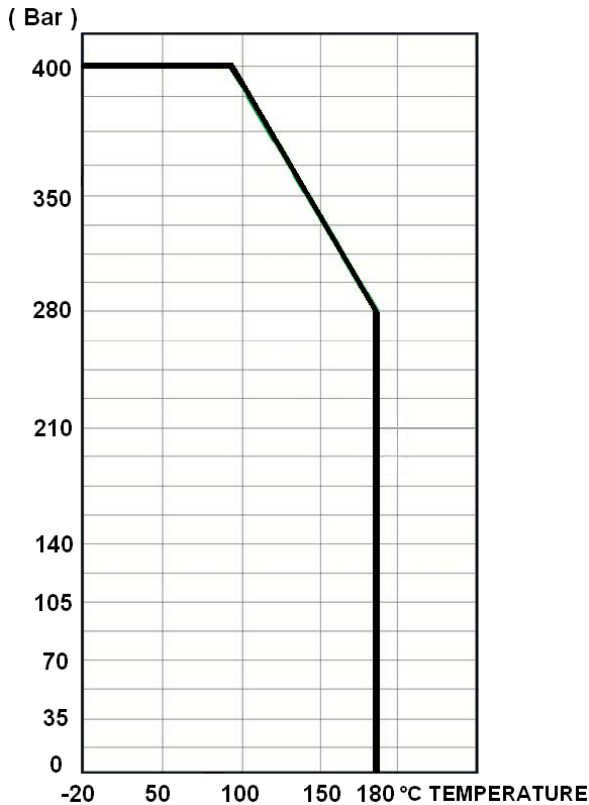
SPECIFICATIONS :

- Respect the flow direction (indicated by the arrow)
- Reduced bore
- Rising rotating stem
- 1 piece type
- Stainless steel type
- 6000 Psi type (PN400)

USE :

- For common fluids of group 1
- Min and max Temperature Ts : - 20°C to + 180°C
- Max Pressure Ps : 400 bars (see graph)

PRESSURE / TEMPERATURE GRAPH (STEAM EXCLUDED) :



FLOW COEFFICIENT Kvs (m3 / h) :

DN	1/4"	3/8"	1/2"	3/4"	1"
Kvs (m3 / h)	0.7	0.78	1.04	1.12	1.55

NUMBER OF TURNS TO CLOSE OR OPEN THE VALVE :

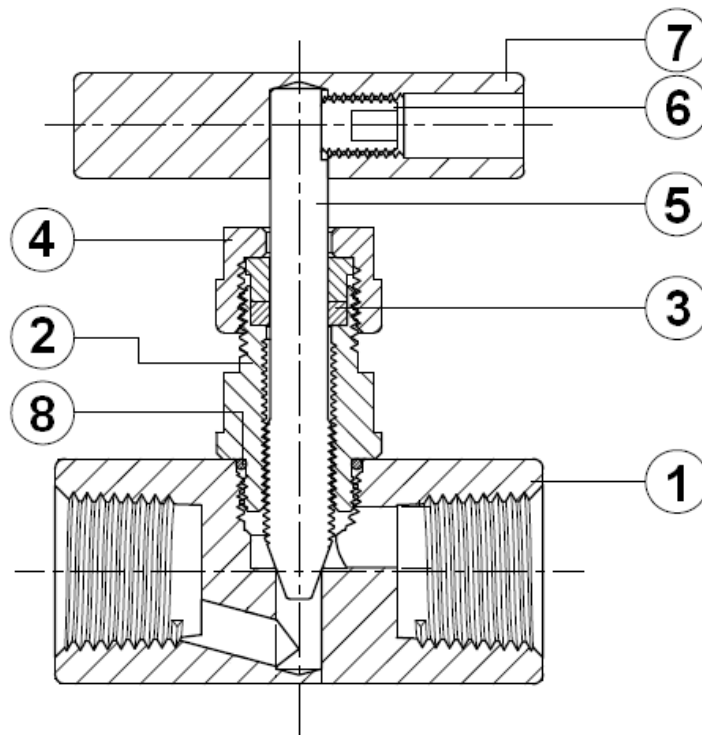
DN	1/4"	3/8"	1/2"	3/4"	1"
Nb of turns	8	9	11	8	12

STAINLESS STEEL NEEDLE VALVE THREADED FEMALE BSP PN400

RANGE :

- Stainless steel threaded female BSP Ref. 481 from DN1/4" to DN1"

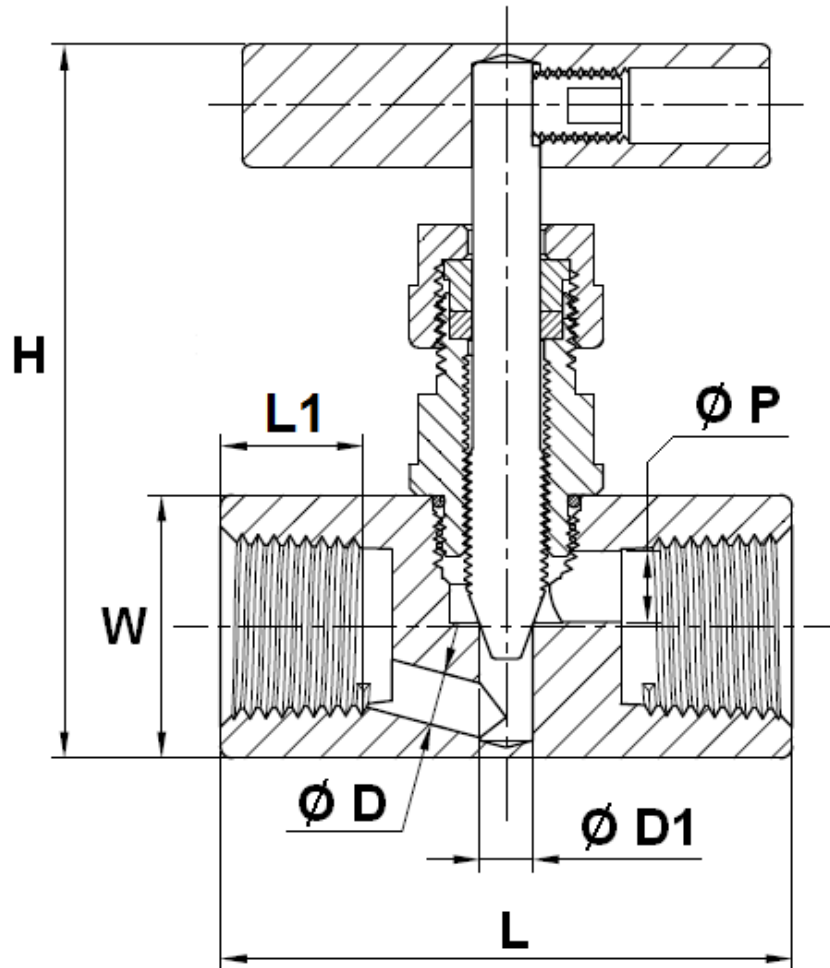
MATERIALS :



Item	Designation	Materials
1	Body	EN 1.4408
2	Bonnet	ASTM A276-316
3	Packing	PTFE
4	Packing nut	AISI 304
5	Stem	ASTM A276-316
6	Handle screw	AISI 304
7	Handle	
8	O ring	FKM

STAINLESS STEEL NEEDLE VALVE THREADED FEMALE BSP PN400

SIZE (in mm) :



DN	1/4"	3/8"	1/2"	3/4"	1"
L	45.5	59	65	70	80
L1	9.5	12	16.3	17	19
H (closed)	75	77	78	113	116
H (opened)	87.1	89.8	93.4	129.4	136.7
W on flat	22	25	30	35	45
Ø D	5	5	6	8	8
Ø D1	6	6	6	8	8
Ø P	5	6.3	8	10	12
Weight (in Kg)	0.3	0.4	0.5	0.8	1.21
Ref.	481002	481003	481004	481005	481006

STAINLESS STEEL NEEDLE VALVE THREADED FEMALE BSP PN400**STANDARDS :**

- Manufacturer certified ISO 9001 : 2015
- DIRECTIVE 2014/68/EU: For liquids or Gas of Group 1
 - Article 4, §3 (SEP), no CE marking
- Certificate 3.1 on request
- Pressure tests according to API 598, table 6
- Threaded female BSP cylindrical ends according to ISO 7/1 Rp
- ATEX Group II Category 2 G/2D Zone 1 & 21 Zone 2 & 22 (optional marking) according to directive 2014/34/EU

ADVICE : Our opinion and our advice are not guaranteed and SFERACO shall not be liable for the consequences of damages.
The customer must check the right choice of the products with the real service conditions.