

BRASS BALL VALVE NF FOR GAS AIRAGAS TYPE

Brass ball valve NF ROB-GAZ for gas network.
Valve certified by Certigaz.
2 NBR O-rings on stem and PTFE seat.



Size : DN1/2" to DN2"
Connection : Female BSP
Min Temperature : -5°C
Max Temperature : +60°C
Max Pressure : 5 Bars
Specifications : Anti blow-out stem
2 NBR O-rings on stem
Full bore

Materials : Brass CW617N according to EN12165

BRASS BALL VALVE NF FOR GAS AIRGAS TYPE

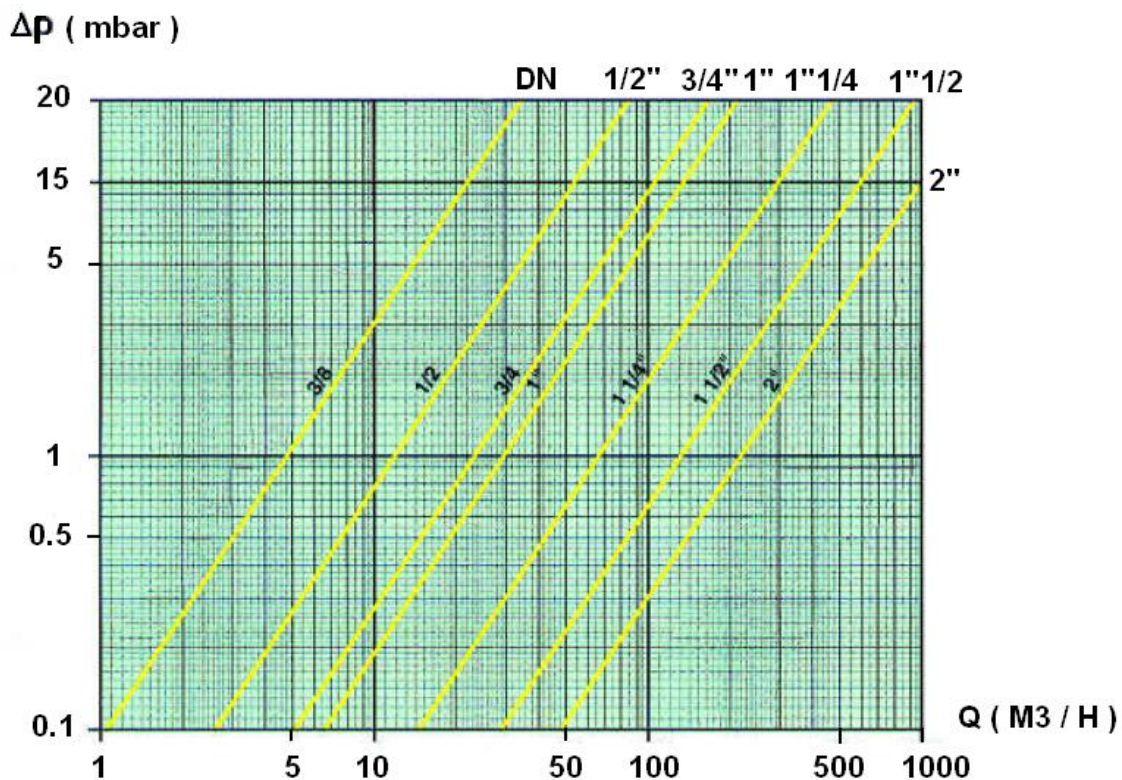
SPECIFICATIONS :

- Heavy type
- For steel pipe
- Full bore
- Anti blow-out stem
- Solid ball
- Double o ring NBR on stem
- Flat yellow color steel handle

USE :

- Gas MOP 5 class
- Natural Gas : obtained from petroleum (methane) and mix of propane / air
- LPG : Butane or Propane
- Installation in building NF E29-141
- Min Temperature Ts : - 5 °C
- Max Temperature Ts : + 60°C
- Max Pressure Ps : 5 bars

HEAD LOSS GRAPH :

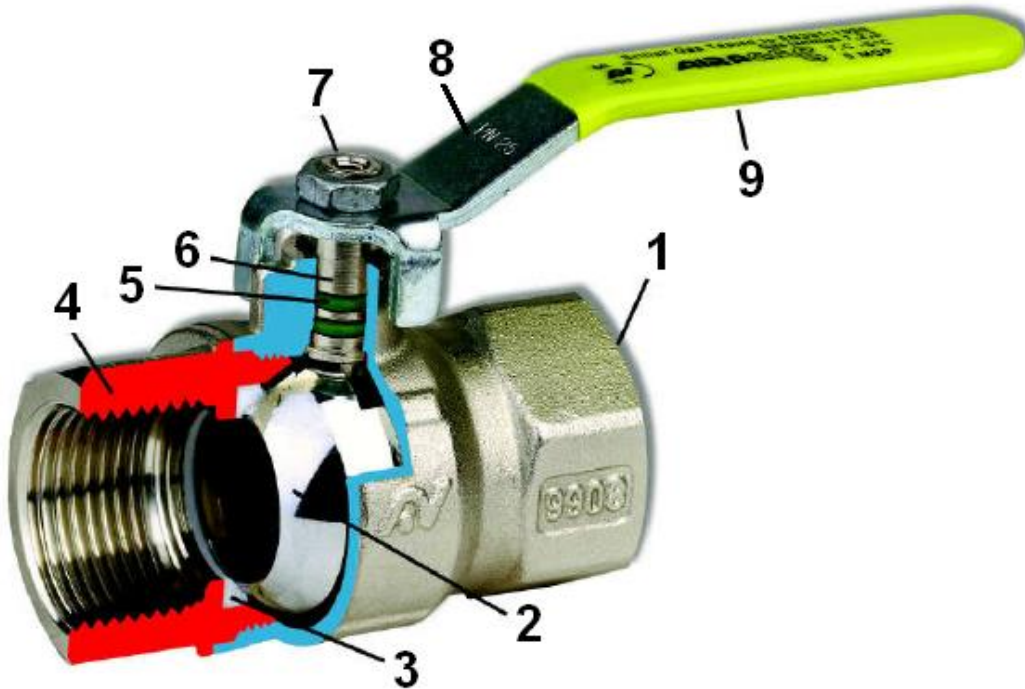


RANGE :

- Female / Female BSP threaded valve for gas with flat yellow steel handle **Ref. 620** from DN 1/2" to 2"

BRASS BALL VALVE NF FOR GAS AIRAGAS TYPE

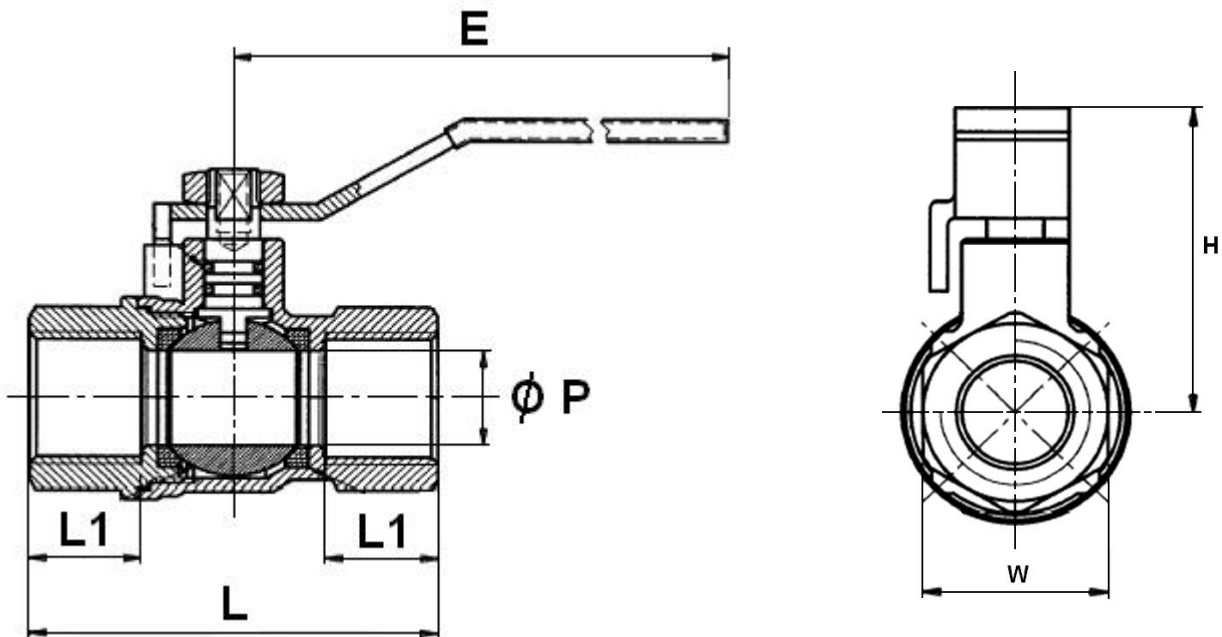
MATERIALS :



Item	Designation	Materials
1	Body	Brass CW 617 N according to EN 12165
2	Ball	Brass CW 617 N according to EN 12165 chromed
3	Seat	PTFE
4	Nipple	Brass CW 617 N according to EN 12165
5	O ring	NBR 70 according to EN 549
6	Stem	Brass CW 614 N according to EN 12164
7	Handle nut	Steel
8	Handle	Steel
9	Handle cover	Plastic

BRASS BALL VALVE NF FOR GAS AIRAGAS TYPE

SIZE (in mm) :



DN	1/2"	3/4"	1"	1"1/4	1"1/2	2"
Ø P	15	20	25	32	40	47
L	62	70	82	98	109	125
L1	17	18.5	21	22	22	26
E	90	115	115	150	150	150
H	42.5	57	61	71	78.5	84
W on flat	26	32	40	49	55	68
Weight (Kg)	0.24	0.38	0.62	1.03	1.38	2.11
Ref.	620004	620005	620006	620007	620008	620009

BRASS BALL VALVE NF FOR GAS AIRGAS TYPE**STANDARDS :**

- Manufacturer certified ISO 9001 : 2015
- DIRECTIVE 2014/68/EU : Products excluded from directive (Article 1, § 2f.V)
- GAS certificate **N° ROB 027** according to **NF E 29-141**
- DIN-DVGW certificate available from DN1"1/4 to DN2"
- Designing according to **EN 331 :1998+A1:2010**
- Marking according to directive **N°305/2011** for building products
- Threaded female BSP cylindrical according to **EN 10226-1 Rp**

ADVICE : Our opinion and our advice are not guaranteed and SFERACO shall not be liable for the consequences of damages.
The customer must check the right choice of the products with the real service conditions.

USE :

Our liability can not be engaged for a non agreed using.
Especially for domestic using with a flexible gas pipe where a valve with automatic closing (ROAI) is mandatory.