

NAMUR PILOT SOLENOID VALVE

CHARACTERISTICS

The CY NAMUR solenoid valve is used on rack and pinions pneumatic actuators for valve fitted with a NAMUR interface. It can be used on double acting (5/2) or single acting (3/2) actuators. The switch between the two versions is made with the gasket conversion. The CY solenoid valve is also fitted with a manual override for local control.

AVAILABLE MODELS

230V AC, 24V AC, 24V DC, 12V DC

LIMITS OF USE

Ambient temperature : TS	-10°C / +50°C
Air pressure	1,5 – 8 bar
IP degree	IP 65

MECHANICAL FEATURES

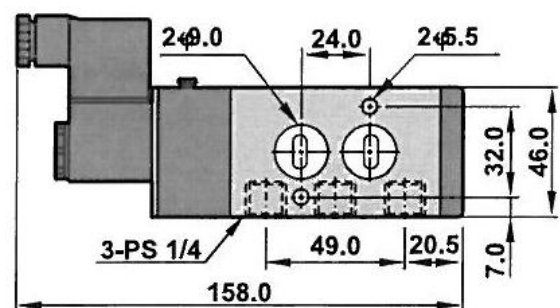
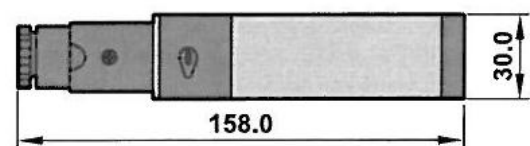
Body	Anodized aluminium
Diameter	¼ "
Flowrate	500 liters / min.
Test pressure	10 bar
Actuator connection	NAMUR standard

ELECTRICAL FEATURES

Coil	DIN type – insulation class F			
Voltage	230V AC	24 V AC	24 V DC	12 V DC
Power (W)	6	7,1	4,8	4,6

OPTIONS

Silencer
Speed control valve
NAMUR quick exhaust



Informations données à titre indicatif et sous réserve de modifications éventuelles

		Nbr. pages	1
		Ref.	FT4219
		Rev.	1
		Date	05/12