

PRESSURE GAUGE VERTICAL CARBON STEEL DRY DIAL D.100 BSP

Pressure gauge carbon steel box dry dial for steam, liquid and gas network, not for viscous or crystallizing liquid and not attacking copper alloys, for pneumatic, heating, cooling, airing, medical equipment and steam.

Instrumentation glass.

With vent security.



Size : Ø100

Connection : Male 1/2" BSP

Min Temperature : +0°C (Ambience -20°C)

Max Temperature : +150°C (Ambience +60°C)

Pressure Range : -1/+1 Bar to 0/+40 Bars

Specifications : Carbon steel box
Bourdon brass tube
Dry dial
Instrumentation glass
Class 1.6

Materials : Carbon steel box

PRESSURE GAUGE VERTICAL CARBON STEEL DRY DIAL D.100 BSP

SPECIFICATIONS :

- Steel box
- Brass bourdon tube
- Dry dial
- Instrument glass
- 1.6 Class
- Bottom connection BSP threaded
- With vent security

USE :

- Not for viscous or crystallizing liquid
- Compressed air, heating, ventilation, air conditioning
- Steam : 100°C maxi
- Min and max Temperature Ts : 0°C to +150°C (ambience -20°C à + 60°C)

RANGE :

- Steel pressure gauge with dry dial Ø 100 with bottom BSP 1/2" male connection, range from -1/+1 to 0/40 bars **Ref. 1619**

ACCESSORIES :



- Steel curl PN25 Male / Male PN25 BSP
 - DN 1/2" **Ref. 9880201**

PRESSURE GAUGE VERTICAL CARBON STEEL DRY DIAL D.100 BSP
GRADUATIONS :

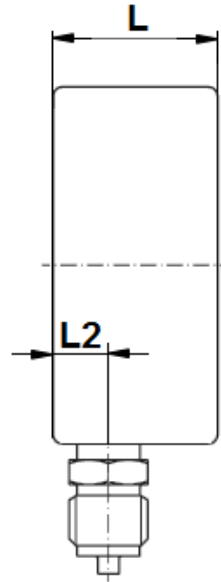
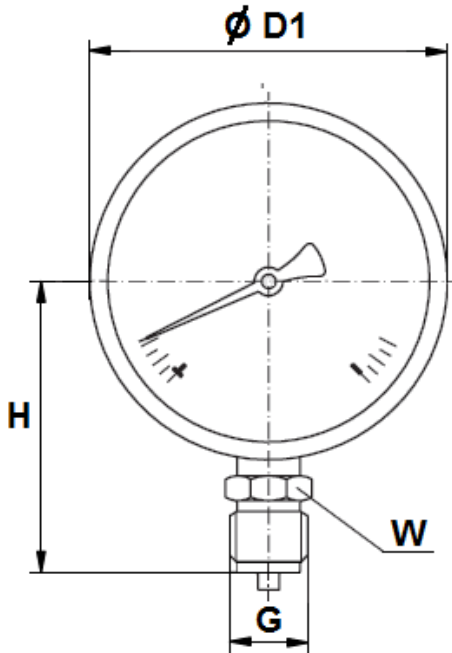
Range (bar)	Graduation (bar)	Ref.
-1 / +1	0,05	1619001
0 / 1,6	0.02	1619002
0 / 2,5	0.05	1619003
0 / 4	0,1	1619004
0 / 6	0,1	1619005
0 / 10	0,2	1619006
0 / 16	0,2	1619007
0 / 25	0,5	1619008
0 / 40	1	1619009

MATERIALS :

DESIGNATION	MATERIALS
Box	Black steel
Fitting	Brass
Mechanism	
Dial	Duralium
Glass	Instrument glass
Needle	Steel

PRESSURE GAUGE VERTICAL CARBON STEEL DRY DIAL D.100 BSP

SIZE (in mm) :



DN	100
$\varnothing D1$	100.5
H	82
G	1/2" BSP
L	36
L2	12.5
W	22
Weight (Kg)	0.35

STANDARDS :

- Manufacturer certified ISO 9001 : 2015
- Designing according to EN 837-1
- DIRECTIVE 2014/68/EU : Products excluded from directive (article 4, § 3)
- Threaded male BSP cylindrical ends according to ISO 228-1

ADVICE : Our opinion and our advice are not guaranteed and SFERACO shall not be liable for the consequences of damages. The customer must check the right choice of the products with the real service conditions.