

# ELECTRIC BRASS BALL VALVE TYPE LYVA 2

## FEATURES

The electric brass ball valve LYVA 2 is dedicated to the automatic shutt-off of small sizes fluids lines. The LYVA full bore valve, is perfect for applications such as water treatment, HVAC, industry, OEM, etc. where a traditional solenoid valve is not suitable. The operation of the actuator with 2 wires automatic position return through capacitor (RC) makes its installation and use very easy. Low power consumption. The LYVA 2 has got the CSF certificate for food contact and the french ACS certificate for use on potable water.



## AVAILABLE MODELS

LYVA 2 : brass body

Sizes and connexions : G 1/2", G 3/4" et G 1".

Voltages : 24 Vac-cc, 230 Vac.

Wiring scheme : CR202, 2 wires, automatic position return through capacitor.

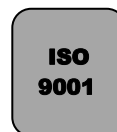
Power cable : 1,5 m

## LIMITS OF USE

Use forbidden on groupe I gases according to CE 2014/68 directive

Use forbidden in explosive area.

<b>Electric protection :</b>	IP 67
<b>PS fluid :</b>	0 - 10 bar
<b>ΔP max :</b>	10 bar
<b>TS fluid :</b>	0°C / +90°C
<b>TS ambient :</b>	-10°C / +55°C



## DIRECTIVES AND STANDARDS OF CONSTRUCTION

SUBJECT	Standard	SUBJECT	Standard
Pressure equipment CE 2014/68	Not submitted	Material grade	EN 1503-4
Low voltage directive CE 73/23	category I	Threaded connection	ISO 228
Food contact	NSF certificate	ACS potable water certificate	

Modifications reserved



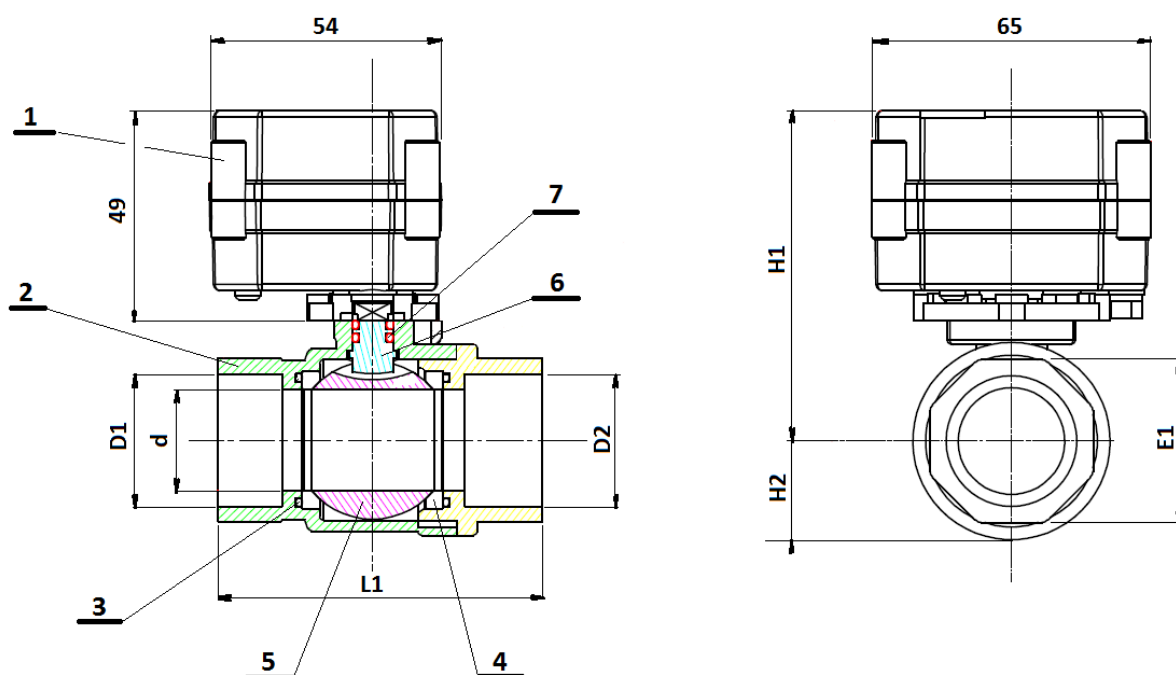
SECTORIEL S.A.  
45 rue du Ruisseau  
38290 SAINT QUENTIN-FALLAVIER – FRANCE  
Tél : +33 4 74 94 90 70 – Fax : +33 4 74 94 13 95  
[www.sectoriel.fr](http://www.sectoriel.fr) / Email : [sectoriel@sectoriel.fr](mailto:sectoriel@sectoriel.fr)

Pages	1/3
Ref.	FT8920 ENG
Rev.	03
Date	05/2019

# ELECTRIC BRASS BALL VALVE TYPE LYVA 2

## CONSTRUCTION

N°	Item	Material
1	Actuator	Plastic PPO
2	Body	Brass CW617N
3	O-ring	EPDM
4	Seat	PTFE
5	Ball	Stainless steel 304
6	Stem	Brass CW617N
7	O-ring	EPDM



## DIMENSIONS (mm) AND WEIGHT (kg)

Size	d	L1	L2	E1	H1	H2	Weight (kg)
G 1/2"	15	56	13	25	84	16	0,37
G 3/4"	20	66	15	31	87	19	0,47
G 1"	25	71	15	38	89	22	0,62

## ELECTRIC FEATURES

Current	Voltages (V)						Frequency		Amperage	Power	Operating time
Alternatif			24		110	230	50 Hz	60 Hz	< 500 mA	8 w	6 s
Continu	5	9	24	36							

Modifications reserved

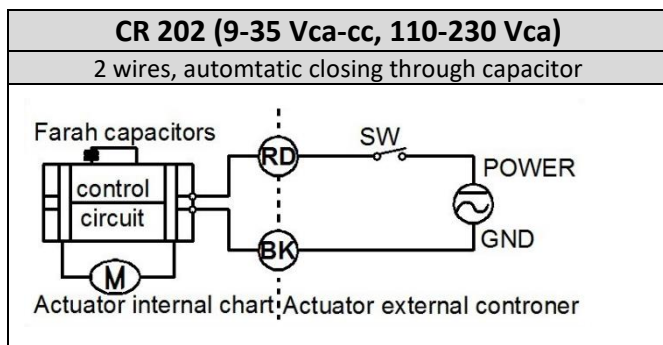


SECTORIEL S.A.  
 45 rue du Ruisseau  
 38290 SAINT QUENTIN-FALLAVIER – FRANCE  
 Tél : +33 4 74 94 90 70 – Fax : +33 4 74 94 13 95  
[www.sectoriel.fr](http://www.sectoriel.fr) / Email : sectoriel@sectoriel.fr

Pages	2/3
Ref.	FT8920 ENG
Rev.	03
Date	05/2019

# ELECTRIC BRASS BALL VALVE TYPE LYVA 2

## WIRING DIAGRAM



## INSTALLATION

All positions mounting excepted horizontal with pointing down actuator.

For a use on liquids, the installation of a upstream protection strainer is recommanded.

## OPTIONS

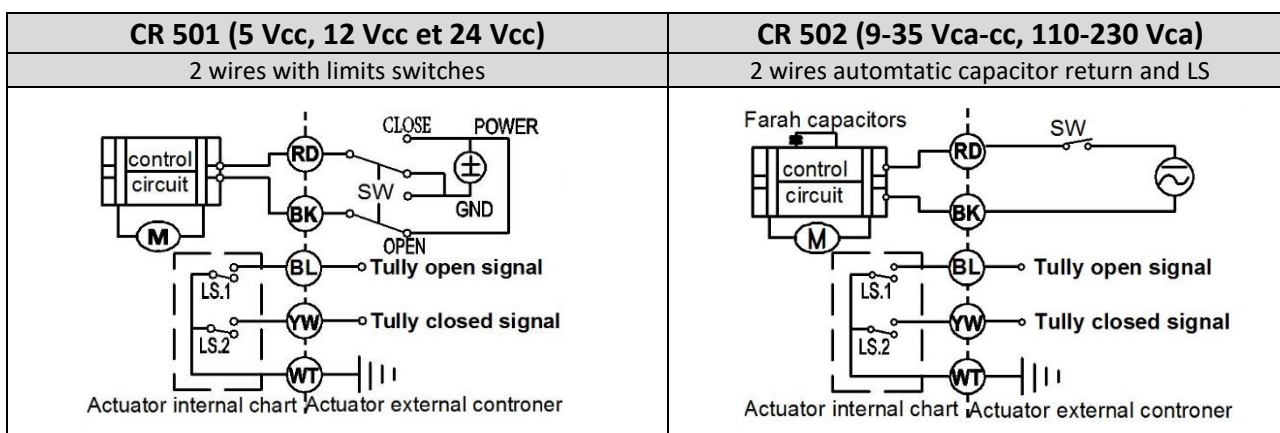
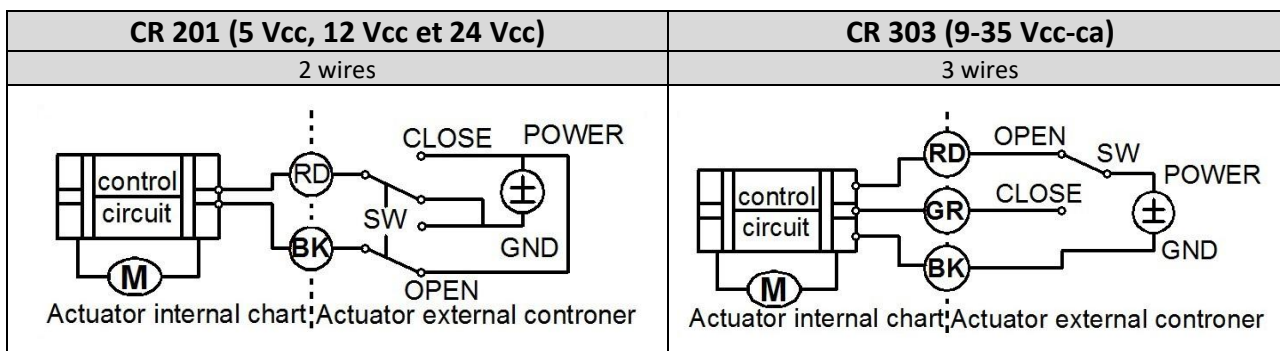
Other votages 5 Vcc, 9 Vcc, 36 Vcc, 110 Vca

Other wiring schemes (see below)

Manual override

Cover without position indicator

Normally open version (NO)



Modifications reserved



SECTORIEL S.A.  
 45 rue du Ruisseau  
 38290 SAINT QUENTIN-FALLAVIER – FRANCE  
 Tél : +33 4 74 94 90 70 – Fax : +33 4 74 94 13 95  
[www.sectoriel.fr](http://www.sectoriel.fr) / Email : sectoriel@sectoriel.fr

Pages	3/3
Ref.	FT8920 ENG
Rev.	03
Date	05/2019