

# BRONZE PRESSURE REDUCING VALVE TYPE 684 HP

## FEATURES

The reducer of pressure 684 HP is intended for the function of reduction in the pressure on systems of high-pressure supply of water or compressed air. Its heavy conception allows to use it on numerous applications in the industry. The downstream pressure stability is very good even with strong variations of upstream pressure.

## AVAILABLE MODELS

**684 HP** : G 1/4" to G 2".

BSP screwed end connections.

Manometer Ø 50 Included. (G 1/4" Connections on both sides).



## LIMITS OF USE

Max allowed fluid pressure : PS	60 bar		
Upstream pressure :	Diaphragm	piston	
	0,5 - 15 bar	5 - 30 bar	10 - 50 bar
Max allowed fluid temperature : TS	-10°C / +120°C		



## CONSTRUCTION

Item	Material
Body	Bronze CC 499K
Bonnet	Bronze CC 499K
Internal mechanism	Laiton CW 617N
Spring	Spring steel 1.1200
Diaphragm	FPM
Piston	Brass CW 617N

## REGULATIONS AND STANDARDS OF CONSTRUCTIONS

Item	Standard
Pressure equipment directive 2014/68	G 1/4" to G 1" : excluded
	G 1"1/2 to G 2" : category II CE0036
BSP theard	ISO 228

Information given as an indication only, and subject to possible modifications



SECTORIEL S.A.  
45 rue du Ruisseau  
38290 SAINT QUENTIN-FALLAVIER – FRANCE  
Tél : +33 4 74 94 90 70 - Fax : +33 4 74 94 13 95  
[www.sectoriel.com](http://www.sectoriel.com) / Email : [sectoriel@sectoriel.fr](mailto:sectoriel@sectoriel.fr)

Pages	1/3
Ref.	FT2469 ENG
Rev.	02
Date	09/2023

# BRONZE PRESSURE REDUCING VALVE TYPE 684 HP

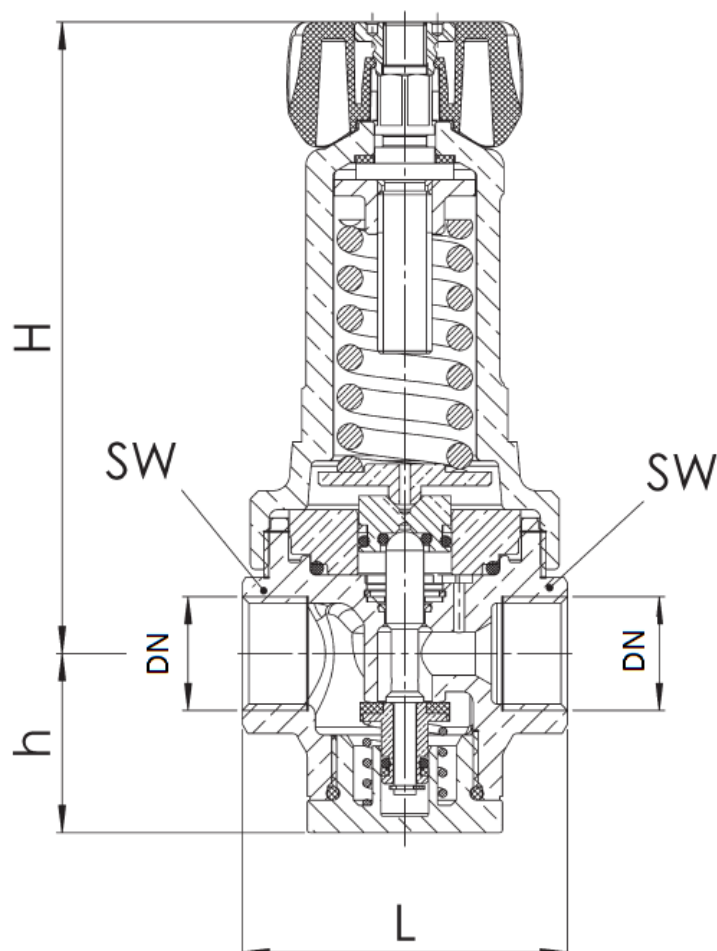
## FLOW COEFFICIENTS $K_v$ (m<sup>3</sup>/h) OF 684 HP

DN	G 1/4"	G 3/8"	G 1/2"	G 3/4"	G 1"	G 1 1/2"	G 2"
$K_v$ (m <sup>3</sup> /h)	1,6	1,6	1,6	3,4	5,5	12,7	12,7


## DIMENSIONS (mm) AND WEIGHT (kg)

DN	L	H	h	SW	Poids (kg)
G 1/4"	68	120	33	26	1,2
G 3/8"	68	120	33	26	1,2
G 1/2"	60	120	33	26	1,2
G 3/4"	78	180	40	32	2,8
G 1"	102	215	56	4,4	5,3
G 1 1/2"	136	260	63	58	9,4
G 2"	136	270	70	70	10,2

**Pressure intake hole :** G 1/4" Connections on both sides.



Information given as an indication only, and subject to possible modifications

	SECTORIEL S.A. 45 rue du Ruisseau 38290 SAINT QUENTIN-FALLAVIER – FRANCE Tél : +33 4 74 94 90 70 - Fax : +33 4 74 94 13 95 <a href="http://www.sectoriel.com">www.sectoriel.com</a> / Email : <a href="mailto:sectoriel@sectoriel.fr">sectoriel@sectoriel.fr</a>	Pages	2/3
		Ref.	FT2469 ENG
		Rev.	02
		Date	09/2023

# BRONZE PRESSURE REDUCING VALVE TYPE 684 HP

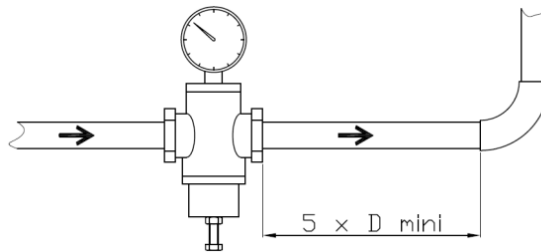
## INSTALLATION

**Position of mounting** : The pressure reducer 684 HP can be installed any position.

**Sens of flow** : Take care of the sense of mounting indicated by the arrow on the body.


**Convergent and divergent** : If the diameter of 684 HP is lower than the diameter of the piping, install upstream a convergent. For a use on a gas, it is necessary to plan at the exit of 684 HP a bigger sized pipe than that of the entrance and to connect it with a divergent, the lower pressure gas needing a bigger pipe's section.

**Straight piping length** : To assure a good stability of the downstream pressure and reduce the turbulences at the exit of the 684 HP, plan before any of accident piping or device, a straight piping length at least equal to 5 DN and 10 x DN if possible. In the case of a double pressure reduction, plan an identical length between both valves.



**Upstream isolation** : Plan a stop valve upstream to the 684 HP. This one is not necessarily tight in zero flowrate and cannot be considered as an isolating valve.

Information given as an indication only, and subject to possible modifications

	SECTORIEL S.A. 45 rue du Ruisseau 38290 SAINT QUENTIN-FALLAVIER – FRANCE Tél : +33 4 74 94 90 70 - Fax : +33 4 74 94 13 95 <a href="http://www.sectoriel.com">www.sectoriel.com</a> / Email : sectoriel@sectoriel.fr	Pages	3/3
		Ref.	FT2469 ENG
		Rev.	02
		Date	09/2023