

## CARBON STEEL GLOBE VALVE PN40 ICP DIN 3202-1 F1

Carbon steel globe valve flanged PN40 for no corrosive or no toxic fluids, steam, hydrocarbons.  
Graphite gasket.  
Pressure equalizing plug in DN200  
Bolted bonnet and packing for an easy maintenance.  
Compatible with explosive atmosphere, ATEX Zone 1&21 and Zone 2&22.



**Certificate**  
**3.1**



**Size :** DN15 to DN200  
**Connection :** Flanged PN40 RF  
**Min Temperature :** -29°C  
**Max Temperature :** +400°C  
**Max Pressure :** 40 bars  
**Specifications :** Rising stem and handwheel  
Stainless steel stem and seat  
Bolted bonnet and packing

**Materials :** Carbon steel EN 1.0619

**CARBON STEEL GLOBE VALVE PN40 ICP DIN 3202-1 F1**

**SPECIFICATIONS :**

- Respect the flow direction indicated by the arrow
- Rising stem and handwheel
- Bolted bonnet and gland pack
- Stainless steel stem and seat
- Pressed seat in the body
- Pressure equalizing plug in DN200
- Flanges R.F. PN40
- RAL 5002 blue painting, 40µ thickness

**USE :**

- No corrosive or no toxic fluids, steam, hydrocarbons
- Min and max Temperature Ts : - 29°C to + 400°C
- Max Pressure Ps : 40 bars ( see graph under )
- Δp 20 bars max for DN125, 15 bars max for DN150, 19 bars max for DN200
- Keep greased the stem
- Not for thermic fluids
- Tighten the gland packing during setting

**FLOW COEFFICIENT Kvs ( M3 / h ) :**

DN	15	20	25	32	40	50	65	80	100	125	150	200
Kvs ( m3/h )	4	7	11	19	30	46	70	115	150	220	310	675

**PRESSURE / TEMPERATURE GRAPH :**

Pressure (Bar)

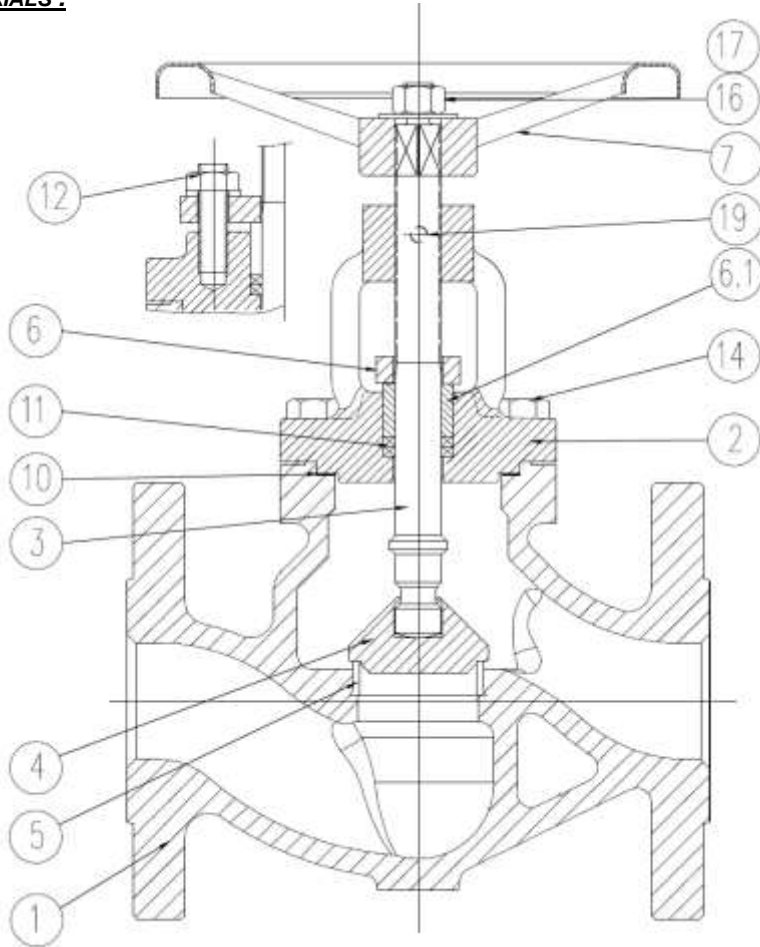


**RANGE :**

- Carbon steel globe valve flanges R.F. PN40 from DN 15 to DN 200 **Ref. 471**

**CARBON STEEL GLOBE VALVE PN40 ICP DIN 3202-1 F1**

**MATERIALS :**



**Repairability :**




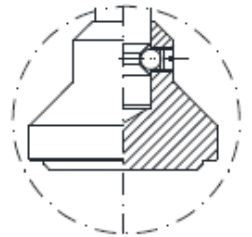
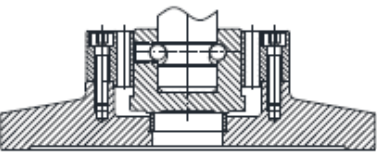

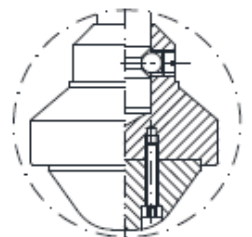
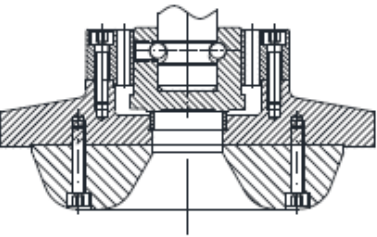
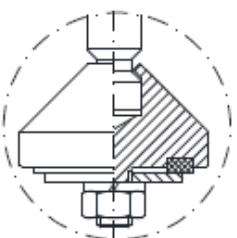
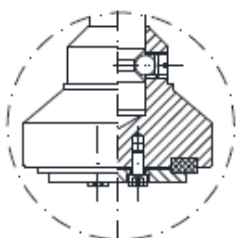
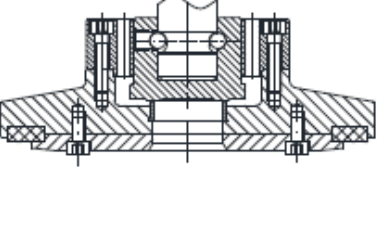
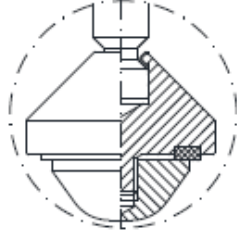
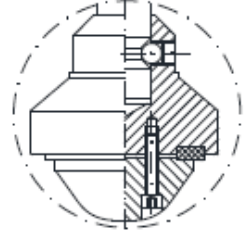
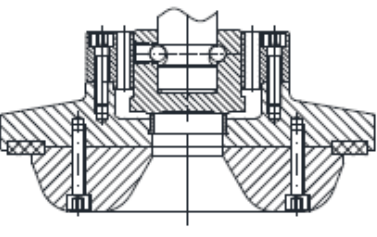
*Gaskets kit (items 10 and 11)	
DN	Ref.
15-20	9804550
25-32	9804551
40-50	9804552
65	9804553
80	9804554
100	9804555
125	9804556
150	9804557
200	9804558

\*Included in gaskets kit

Item	Designation	Materials
1	Body	EN 1.0619
2	Bonnet	
3	Stem	AISI 202 (1.4373)
4	Disc	AISI 420 ( X20 Cr13 )
5	Seat	X4 CrNi 13 4 (CA6NM)
6	Gland	Carbon steel S235 JR+ZP
6.1	Gland ring	Carbon steel 1.1191 + ZP
7	Handwheel	ASTM A216 WCB
10*	Gasket	Graphite
11*	Packing	
12	Gland bolts	Steel 8.8
14	Bonnet bolts	A193 B7M
16	Handwheel nut	Stainless steel A2
17	Washer	
19	Lubricator	Brass

**CARBON STEEL GLOBE VALVE PN40 ICP DIN 3202-1 F1**

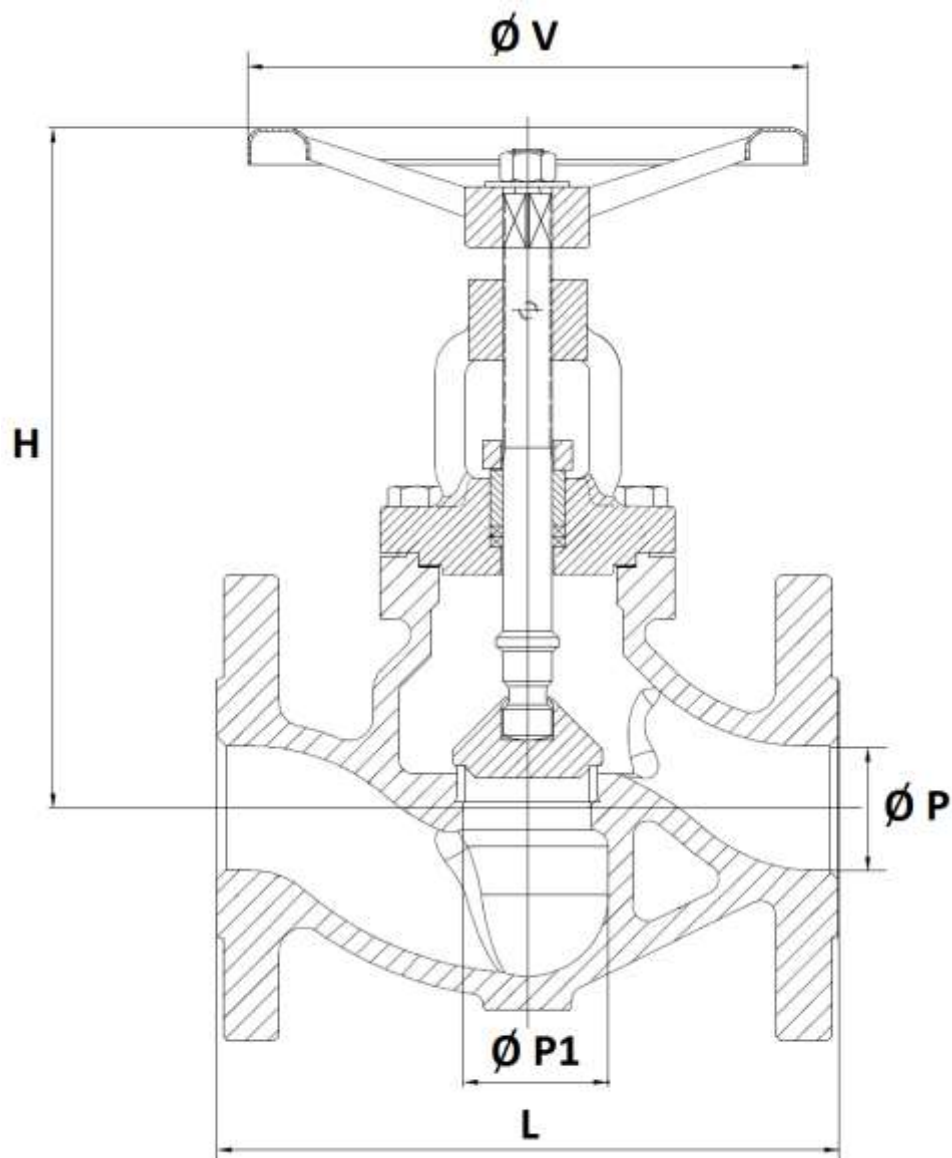
**DISC OPTIONS :**

DN 15-65	DN 80-150	DN 200
<b>STANDARD DISC</b>		
		
<b>OPTION A : THROTTLING PLUG*</b>		
		
<b>OPTION B : DISC WITH SOFT SEAT*</b>		
		
<b>OPTION C : THROTTLING PLUG + SOFT SEAT*</b>		
		

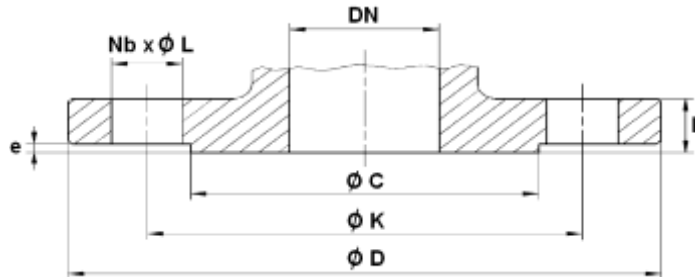
\* : ON REQUEST

**CARBON STEEL GLOBE VALVE PN40 ICP DIN 3202-1 F1**

**SIZE ( in mm ) :**



DN	15	20	25	32	40	50	65	80	100	125	150	200
L	130	150	160	180	200	230	290	310	350	400	480	600
$\varnothing P$	15	20	25	32	40	50	65	80	100	125	150	200
$\varnothing P1$	16.5	20.5	25.2	30	40.8	50.5	66	81	104.5	126	150.5	205
H (closed valve)	155	160	180	180	220	230	280	285	315	523	541	699
$\varnothing V$	120		140		180		200		250	400		
Weight (in Kg)	3.5	4.3	6.3	7.3	12.5	15	22.5	27.5	42	67	99	200
Ref.	471015	471020	471025	471032	471040	471050	471065	471080	471100	471125	471150	471200

**CARBON STEEL GLOBE VALVE PN40 ICP DIN 3202-1 F1**
**FLANGES SIZE ( in mm ) :**


DN	15	20	25	32	40	50	65	80	100	125	150	200
Ø C	45	58	68	78	88	102	122	138	162	188	218	285
Ø D	95	105	115	140	150	165	185	200	235	270	300	375
Ø K	65	75	85	100	110	125	145	160	190	220	250	320
Nb x Ø L	4 x 14	4 x 14	4 x 14	4 x 18	4 x 18	4 x 18	8 x 18	8 x 18	8 x 22	8 x 26	8 x 26	12 x 30
b	16	18	18	18	18	20	22	24	24	26	28	34
e	2	2	2	2	3	3	3	3	3	3	3	3

**STANDARDS :**

- Manufacturer certified ISO 9001 :2015
- DIRECTIVE 2014/68/EU : For liquids and gas of Group 1
  - DN15-50 : Article 4, §3 (SEP), no CE marking
  - DN65-100 : Risk Category II, CE 0035 marking
  - DN125-200 : Risk Category III, CE 0035 marking
- Certificate 3.1 on request
- Designing according to DIN 3840
- Marking according to EN 19
- Pressure Tests according to EN 12266-1, Rate A
- Length according to EN 558 series 1 ( DIN 3202-1 F1 )
- Flanges R.F. according to EN 1092-1 PN40
- ATEX Group II Category 2 G/2Dc Zone 1 & 21 Zone 2 & 22 ( optional marking ) according to directive 2014/34/EU

**ADVICE :** Our opinion and our advice are not guaranteed and SFERACO shall not be liable for the consequences of damages. The customer must check the right choice of the products with the real service conditions.