

**PRESSURE GAUGE VALVE FEMALE BSP WITH DECOMPRESSION HOLE**

Pressure gauge valve female with decompression hole for liquid and gas network, not for viscous or crystallizing liquid and not attacking copper alloys.

With packing on stem.

With decompression hole.



**Size :** DN1/4" to DN1/2"

**Connection :** Female-Female BSP

**Min Temperature :** -10°C

**Max Temperature :** +90°C

**Max Pressure :** 16 Bars

**Specifications :** With decompression hole

Reduced bore

For pressure gauge

**Materials :** Brass body CW617N according to EN 12165

**PRESSURE GAUGE VALVE FEMALE BSP WITH DECOMPRESSION HOLE**

**SPECIFICATIONS :**

- With exhaust hole
- Reduced bore

**USE :**

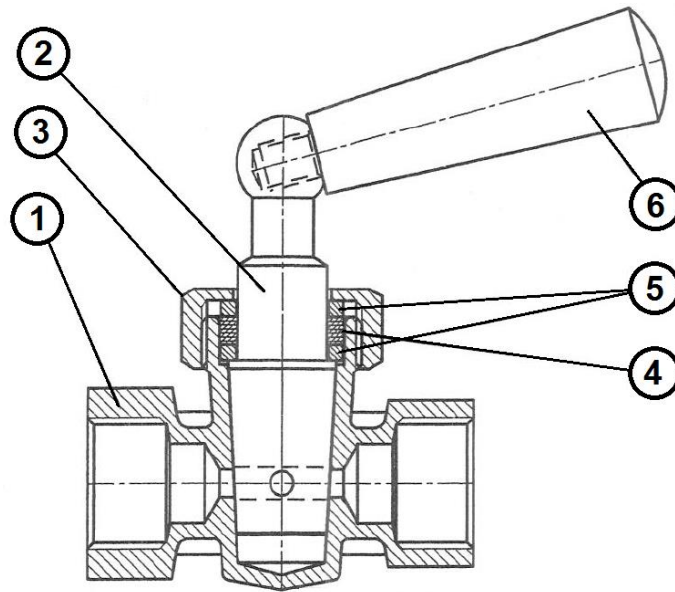
- Not for viscous or crystallizing liquid
- Min Temperature Ts : - 10 °C
- Max Temperature Ts : + 90°C
- Max Pressure Ps : 16 bars

**RANGE :**

- Pressure gauge valve Female / Female threaded BSP **Ref. 1305** from DN1/4" to DN1/2"

**PRESSURE GAUGE VALVE FEMALE BSP WITH DECOMPRESSION HOLE**

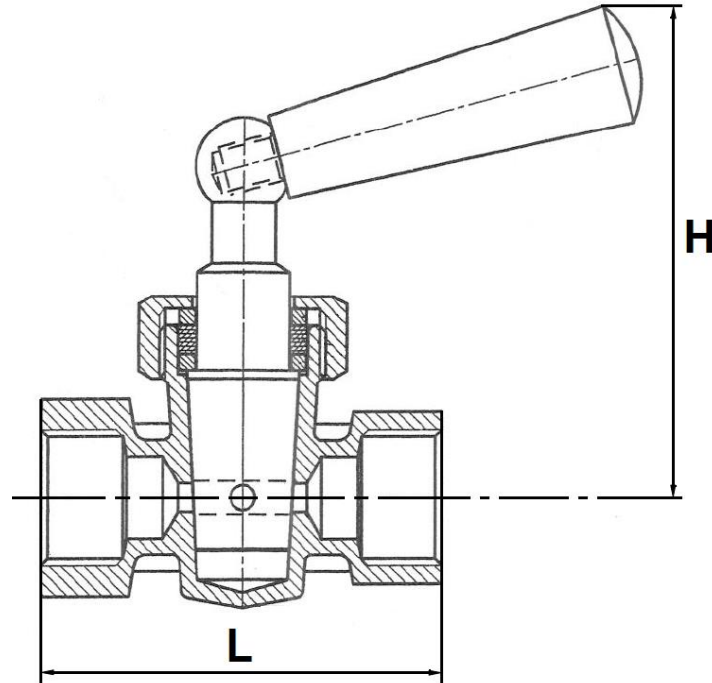
**MATERIALS :**



Item	Designation	Materials
1	Body	Brass CW 617 N according to EN 12165
2	Stem	Brass CW 614 N according to EN 12164
3	Bonnet	Brass CW 617 N according to EN 12165
4	Packing	CHEMITON® GSFONA92
5	Packing gland	Brass CW 614 N according to EN 12164
6	Handle	Polypropylene

**PRESSURE GAUGE VALVE FEMALE BSP WITH DECOMPRESSION HOLE**

**SIZE ( in mm ) :**



DN	1/4"	3/8"	1/2"
L	46	50	56
H	60		
Weight (in Kg)	0.13	0.14	0.18
Ref.	1305002	1305003	1305004

**STANDARDS :**

- Manufacturer certified ISO 9001 : 2015
- DIRECTIVE 2014/68/EU : Products excluded from directive ( Article 1, § 2b )
- Threaded female BSP cylindrical ends according to ISO 228-1

**ADVICE :** Our opinion and our advice are not guaranteed and SFERACO shall not be liable for the consequences of damages. The customer must check the right choice of the products with the real service conditions.