

PRESSURE GAUGE VALVE MALE FEMALE BSP WITH FLANGE AND DECOMPRESSION HOLE

Pressure gauge valve male female with flange and decompression hole for liquid and gas network, not for viscous or crystallizing liquid and not attacking copper alloys.

With packing on stem.

With decompression hole.



Size : DN1/4" to DN1/2"
Connection : Male-Female BSP
Min Temperature : -10°C
Max Temperature : +90°C
Max Pressure : 16 Bars
Specifications : With decompression hole
Reduced bore
For pressure gauge
With flange

Materials : Brass body CW617N according to EN 12165

PRESSURE GAUGE VALVE MALE FEMALE BSP WITH FLANGE AND DECOMPRESSION HOLE

SPECIFICATIONS :

- With exhaust hole
- Reduced bore

USE :

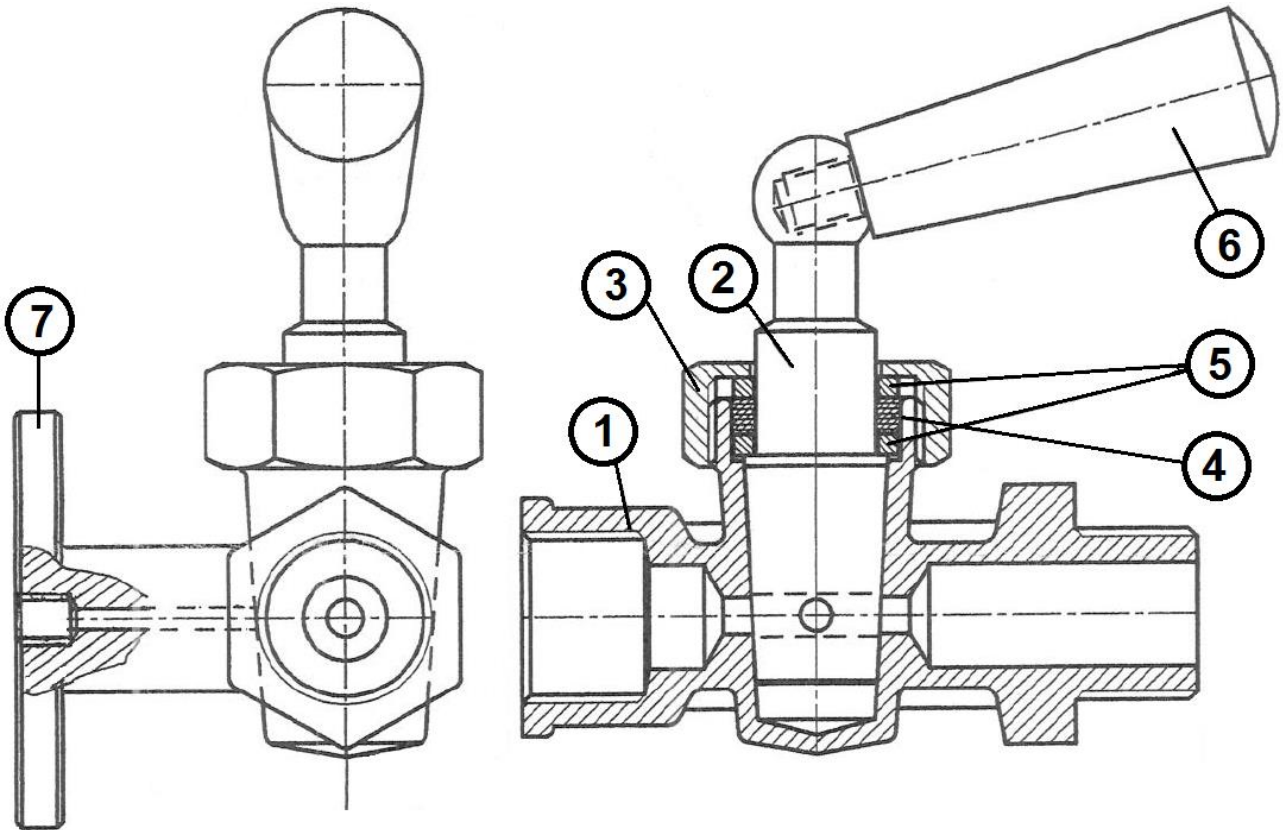
- Not for viscous or crystallizing liquid
- Min Temperature Ts : - 10 °C
- Max Temperature Ts : + 90°C
- Max Pressure Ps : 16 bars

RANGE :

- Pressure gauge valve Male / Female threaded BSP with flange **Ref. 1307** from DN1/4" to DN1/2"

PRESSURE GAUGE VALVE MALE FEMALE BSP WITH FLANGE AND DECOMPRESSION HOLE

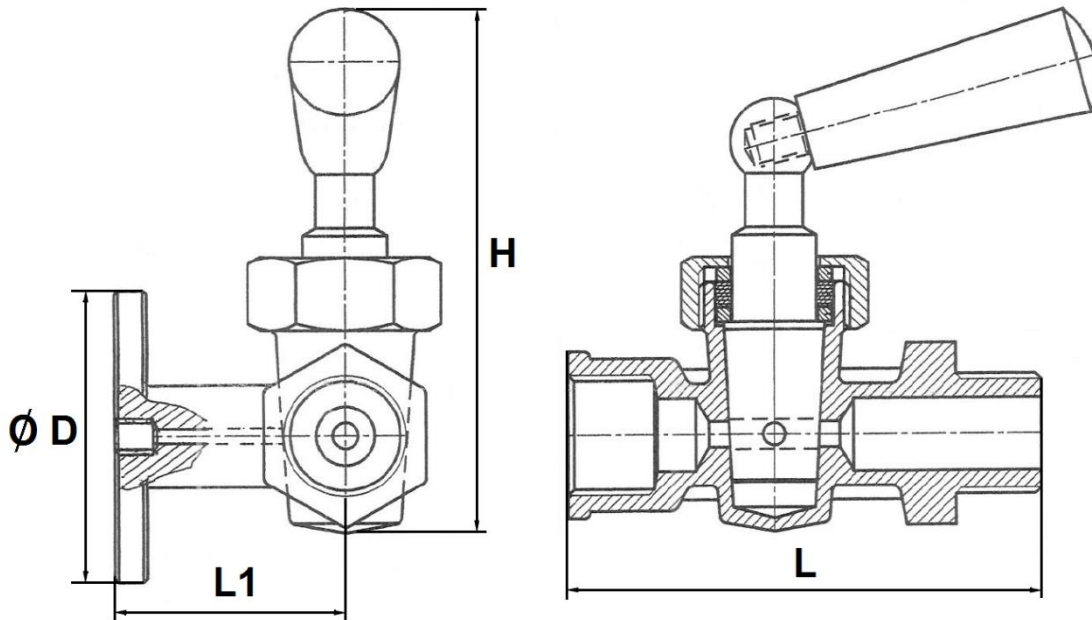
MATERIALS :



Item	Designation	Materials
1	Body	Brass CW 617 N according to EN 12165
2	Stem	Brass CW 614 N according to EN 12164
3	Bonnet	Brass CW 617 N according to EN 12165
4	Packing	CHEMITON® GSFONA92
5	Packing gland	Brass CW 614 N according to EN 12164
6	Handle	Polypropylene
7	Flange	Brass CW 614 N according to EN 12164

PRESSURE GAUGE VALVE MALE FEMALE BSP WITH FLANGE AND DECOMPRESSION HOLE

SIZE (in mm) :



DN	1/4"	1/2"
L	60	74
L1	31	31
H	60	
Ø D	40	40
Weight (in Kg)	0.22	0.29
Ref.	1307002	1307004

STANDARDS :

- Manufacturer certified ISO 9001 : 2015
- DIRECTIVE 2014/68/EU : Products excluded from directive (Article 1, § 2b)
- Threaded male and female BSP cylindrical ends according to ISO 228-1

ADVICE : Our opinion and our advice are not guaranteed and SFERACO shall not be liable for the consequences of damages. The customer must check the right choice of the products with the real service conditions.