

DUCTILE IRON GATE VALVE FLANGED PN16 DIN3202-1 F4 STAINLESS STEEL SEAT

Ductile iron gate valve with stainless steel seat flanged PN10/16 full bore for opening/closing networks of water, water treatment and heating.

Outside screw stem, rising stem and non rising handwheel.

Graphite packing and bonnet gasket.

Certificate

3.1



Lloyd's
Register
PED/2014/68/UE



Size : DN50 to DN300

Connection: Flanges RF PN10/16

Min Temperature : -10°C

Max Temperature : +180°C

Max Pressure : 16 Bars

Specifications : Rising stem and non rising handwheel

Stainless steel stem and seat

Outside screw stem

Full bore

Materials : Ductile iron body EN GJS-500-7

DUCTILE IRON GATE VALVE FLANGED PN16 DIN3202-1 F4 STAINLESS STEEL SEAT

SPECIFICATIONS :

- Single solid wedge
- Oblique seat
- Graphite packing
- Full bore
- Rising stem and non rising handwheel
- Stainless steel stem
- Stainless steel seat
- Flanges R.F. PN16
- Alkyde painting RAL 7011 grey color, 90 µm thickness for body
- Painting RAL 6032 green color for handwheel

USE :

- For water, water treatment, heating
- Min and max Temperature Ts : - 10°C to + 180°C
- Max Pressure Ps : 16 bars

RANGE :

- Ductile iron body flanged R.F. PN16 Ref. 159 from DN 40 to DN 300

TORQUE VALUES (Nm without safety coefficient) :

| DN | 40 | 50 | 65 | 80 | 100 | 125 | 150 | 200 | 250 | 300 |
|---------------|----|----|----|----|-----|-----|-----|-----|-----|-----|
| Torque (Nm) | 55 | 55 | 55 | 60 | 85 | 115 | 125 | 135 | 192 | 192 |

LEAKAGE RATE (WITH WATER AT 20°C) :

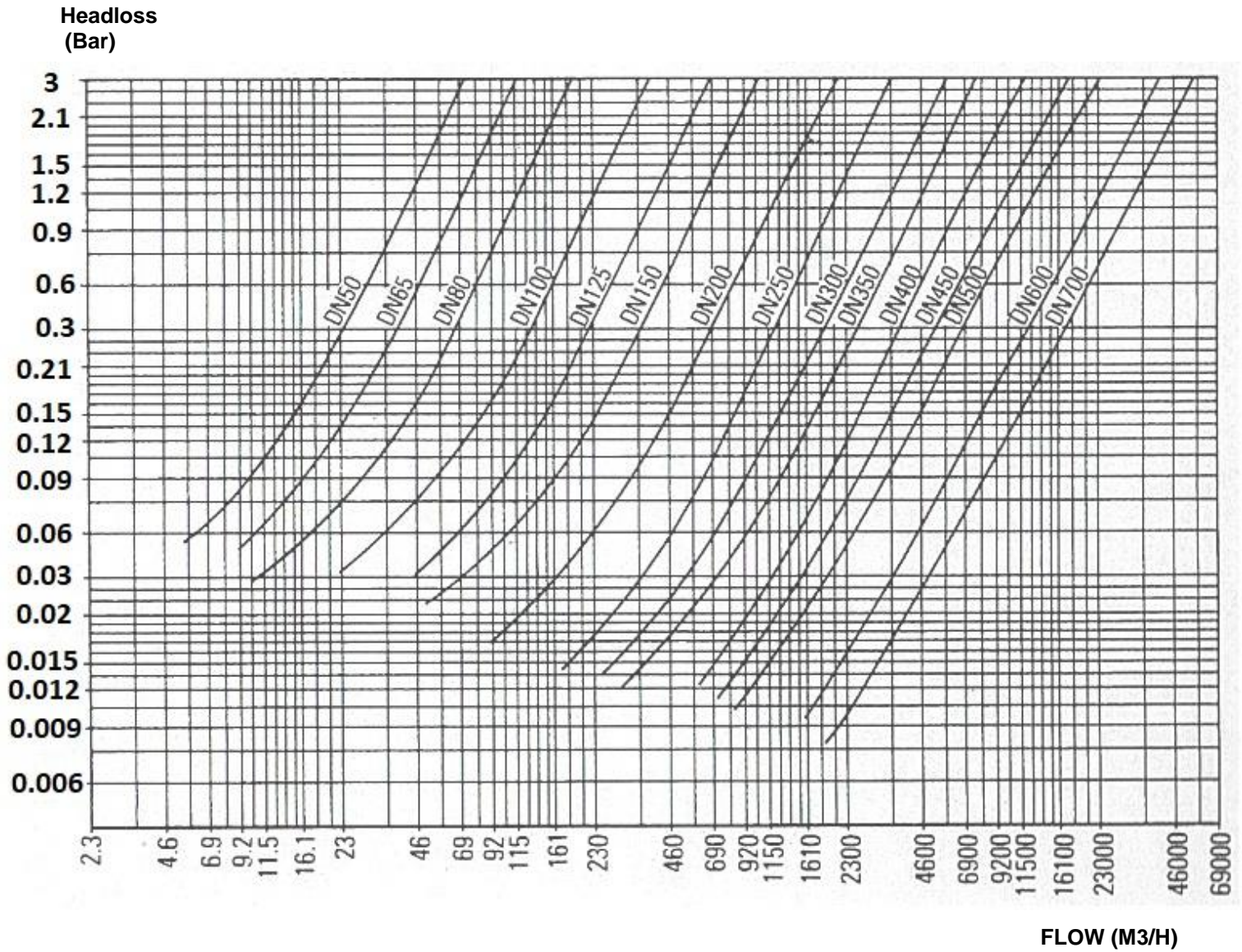
| DN | Leakage rate (mm ³ /s) |
|-----|-----------------------------------|
| 40 | 0.4 |
| 50 | 0.5 |
| 65 | 0.65 |
| 80 | 0.80 |
| 100 | 1.00 |
| 125 | 1.25 |
| 150 | 1.50 |
| 200 | 2.00 |
| 250 | 2.50 |
| 300 | 3.00 |

NUMBER OF CYCLES TO CLOSE OR OPEN THE VALVE :

| DN | 40 | 50 | 65 | 80 | 100 | 125 | 150 | 200 | 250 | 300 |
|------------------|----|------|------|------|-----|------|------|------|------|-----|
| Number of cycles | 13 | 15.5 | 19.3 | 23.5 | 29 | 35.3 | 33.3 | 43.6 | 53.6 | 65 |

DUCTILE IRON GATE VALVE FLANGED PN16 DIN3202-1 F4 STAINLESS STEEL SEAT

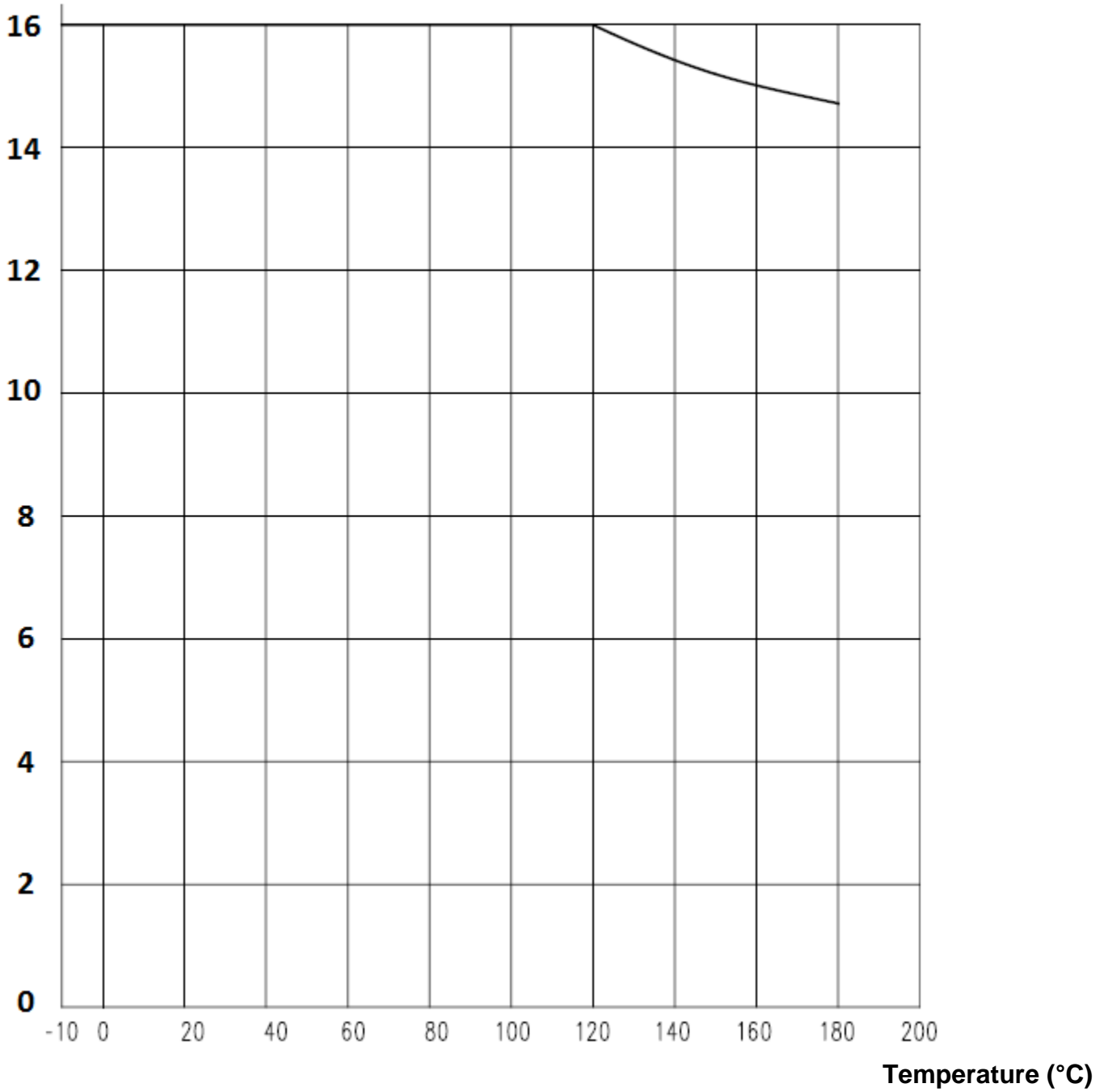
HEADLOSS GRAPH:



DUCTILE IRON GATE VALVE FLANGED PN16 DIN3202-1 F4 STAINLESS STEEL SEAT

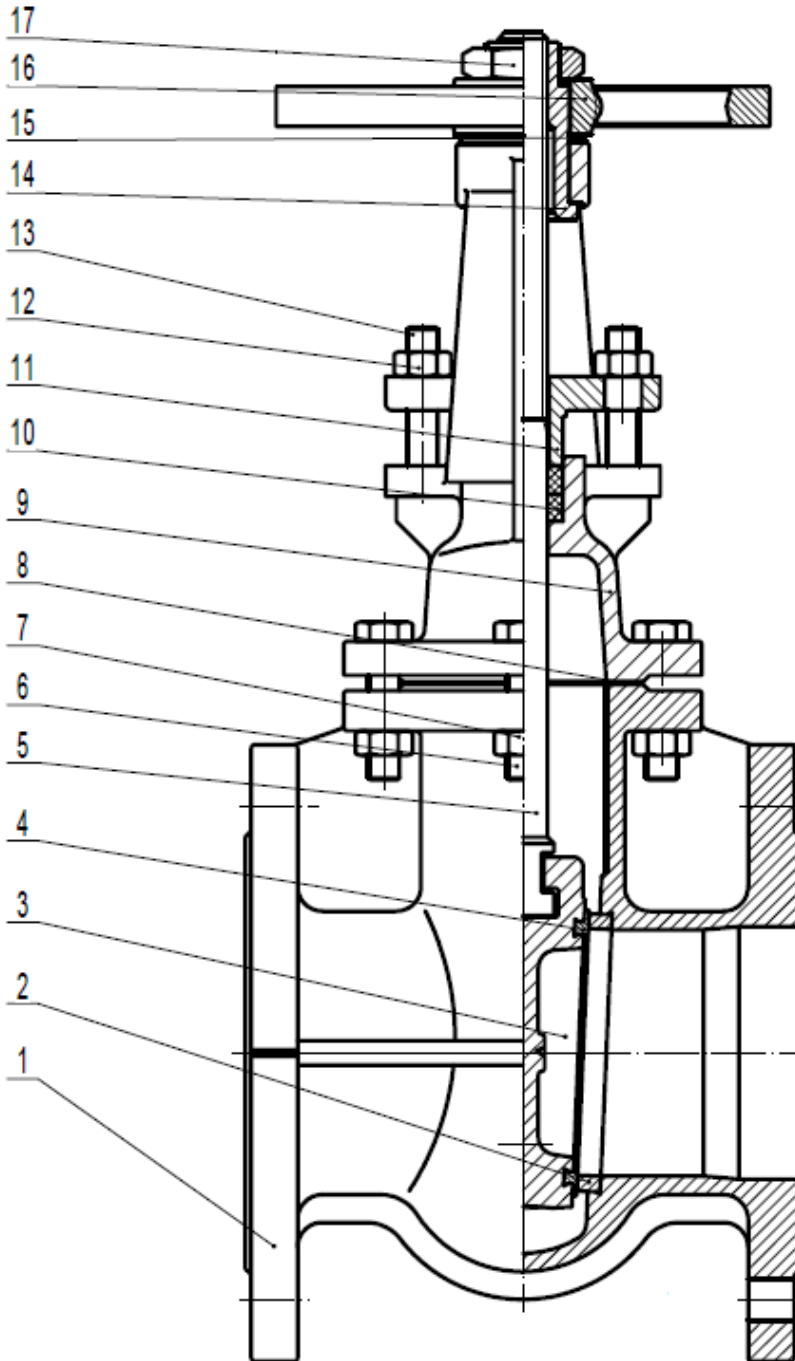
PRESSURE / TEMPERATURE GRAPH (STEAM EXCLUDED) :

Pressure (Bar)



DUCTILE IRON GATE VALVE FLANGED PN16 DIN3202-1 F4 STAINLESS STEEL SEAT

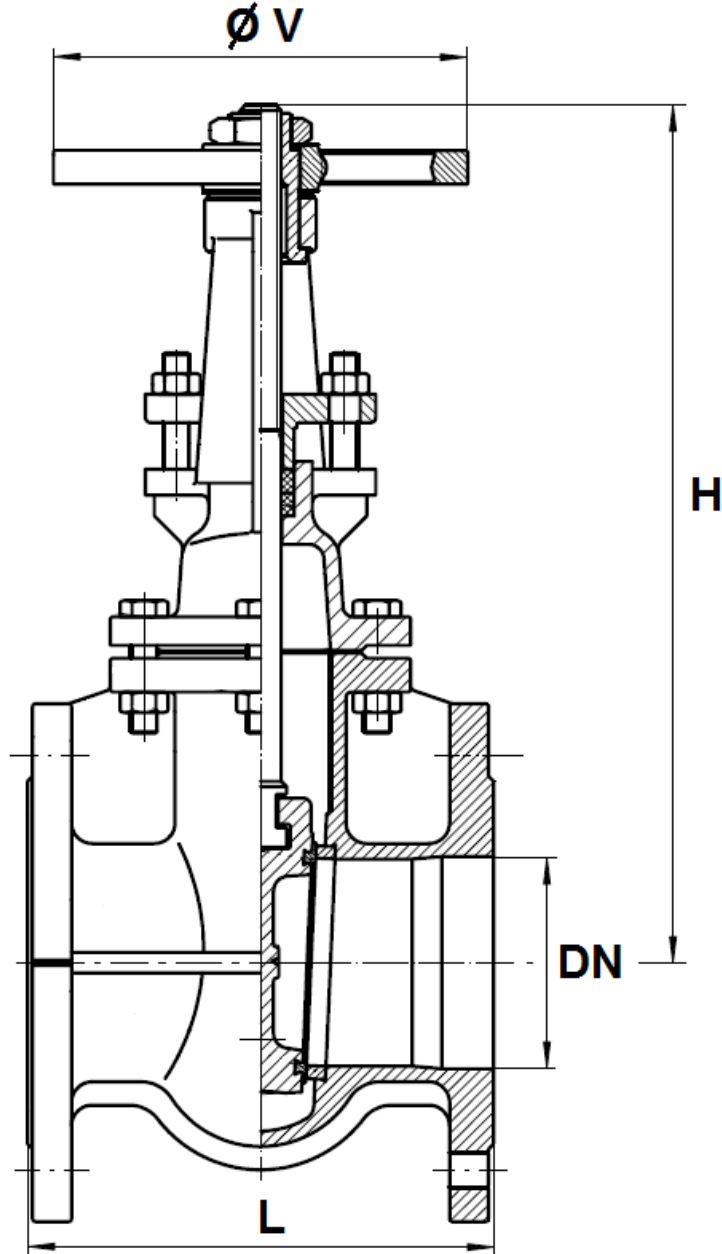
MATERIALS :



| Item | Designation | Materials |
|------|---------------|---------------------------|
| 1 | Body | Ductile iron EN-GJS-500-7 |
| 2 | Body seat | AISI 304 |
| 3 | Wedge | Ductile iron EN-GJS-500-7 |
| 4 | Wedge seat | AISI 304 |
| 5 | Stem | AISI 420 |
| 6 | Screw | Steel RSt37-2 (1.0038) |
| 7 | Nut | Steel RSt37-2 (1.0038) |
| 8 | Bonnet gasket | Graphite |
| 9 | Bonnet | Ductile iron EN-GJS-500-7 |
| 10 | Packing | Graphite |
| 11 | Packing gland | Ductile iron EN-GJS-500-7 |
| 12 | Nut | Steel RSt37-2 (1.0038) |
| 13 | Screw | Steel RSt37-2 (1.0038) |
| 14 | Stem nut | Brass |
| 15 | Washer | Brass |
| 16 | Handwheel | Cast iron EN GJL-250 |
| 17 | Handwheel nut | Ductile iron EN GJS-500-7 |

DUCTILE IRON GATE VALVE FLANGED PN16 DIN3202-1 F4 STAINLESS STEEL SEAT

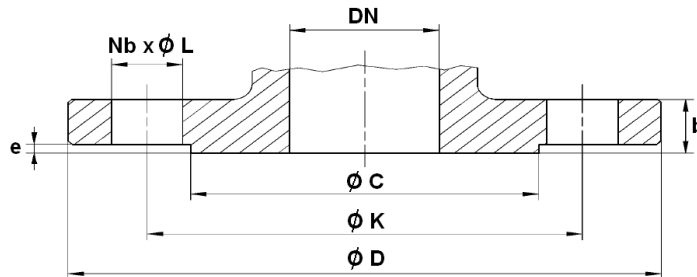
SIZE (in mm) :



| DN | 40 | 50 | 65 | 80 | 100 | 125 | 150 | 200 | 250 | 300 |
|-------------|--------|--------|--------|--------|--------|--------|--------|--------|--------|--------|
| L | 140 | 150 | 170 | 180 | 190 | 200 | 210 | 230 | 250 | 270 |
| H (closed) | 244 | 254 | 294 | 331 | 385 | 457 | 545 | 683 | 823 | 952 |
| H (opened) | 295 | 315 | 371 | 424 | 500 | 598 | 711 | 901 | 1093 | 1273 |
| Ø V | 160 | 160 | 160 | 160 | 200 | 200 | 250 | 250 | 320 | 320 |
| Weight (Kg) | 9.8 | 11.9 | 13.3 | 17.2 | 23.2 | 34.2 | 47 | 67.5 | 110 | 170 |
| Ref. | 159040 | 159050 | 159065 | 159080 | 159100 | 159125 | 159150 | 159200 | 159250 | 159300 |

DUCTILE IRON GATE VALVE FLANGED PN16 DIN3202-1 F4 STAINLESS STEEL SEAT

FLANGES SIZE (in mm) :



| PN | PN10/16 | | | | | | | PN16 | | |
|----------|---------|--------|--------|--------|--------|--------|--------|---------|---------|---------|
| DN | 40 | 50 | 65 | 80 | 100 | 125 | 150 | 200 | 250 | 300 |
| Ø C | 80 | 102 | 124 | 140 | 158 | 188 | 212 | 268 | 320 | 378 |
| Ø D | 150 | 165 | 185 | 200 | 220 | 250 | 285 | 340 | 405 | 460 |
| Ø K | 110 | 125 | 145 | 160 | 180 | 210 | 240 | 295 | 355 | 410 |
| Nb x Ø L | 4 x 19 | 4 x 19 | 4 x 19 | 8 x 19 | 8 x 19 | 8 x 19 | 8 x 23 | 12 x 23 | 12 x 28 | 12 x 28 |
| b | 16 | 16 | 16 | 17 | 17 | 18 | 20 | 21 | 23 | 24 |
| e | 2 | 2 | 2 | 2 | 2 | 3 | 3 | 3 | 3 | 4 |

STANDARDS :

- Manufacturer certified ISO 9001 : 2015
- DIRECTIVE 2014/68/EU : CE N° 0038
Risk category III module H
- Certificate 3.1 on request
- Pressure tests according to EN 12266-1, leakage rate B
- Length according to EN 558 series 14 (DIN 3202-1 F4)
- Flanged R.F. according to EN 1092-2 PN16
- Design according to DIN 3352

ADVICE : Our opinion and our advice are not guaranteed and SFERACO shall not be liable for the consequences of damages. The customer must check the right choice of the products with the real service conditions.