

PRESSURE GAUGE VERTICAL STAINLESS STEEL BOX WITH GLYCERINE D.63 BSP BAR/PSI

Pressure gauge vertical stainless steel box with glycerine for liquid and gas network, not for viscous or crystallizing liquid and not attacking copper alloys, for hydraulic, compressed air and shipbuilding.

Plexiglas glass.

Protection indice IP65.

Brass Bourdon tube.

Double graduation bar/psi



Size : Ø63

Connection : Male 1/4" BSP

Min Temperature : +0°C

Max Temperature : +60°C

Pressure Range : -1/+1 Bar to 0/+600 Bars (-15/+15 PSI to 0/9000 PSI)

Specifications : Stainless steel box

Bourdon brass tube

Wet dial with glycerine

Class 1.6

Materials : AISI 304 box

PRESSURE GAUGE VERTICAL STAINLESS STEEL BOX WITH GLYCERINE D.63 BSP BAR/PSI

SPECIFICATIONS :

- AISI 304 box
- Brass mechanism
- Brass fitting
- Plexiglas glass
- With glycerine
- 1.6 Class
- Protection IP65
- Bottom connection BSP threaded
- Double graduation bar/psi

USE :

- Not for viscous or crystallizing liquid
- Hydraulic, Compressed air and shipbuilding
- Min and max Temperature Ts : 0°C to +60°C

RANGE :

- Pressure gauge Ø 63 with bottom connection 1/4", range -1/+1 to 0/600 bars and -15/+15 to 0/9000 psi **Ref. 1613**

ACCESSORIES :



- Copper curl PN25 Male / Female BSP DN 1/4" **Ref. 9880202**



- SS curl PN20 Male / Female BSP DN 1/4" **Ref. 9880207**



- Carbon steel curl PN25 Male / Male BSP DN 1/4" **Ref. 9880200**



- Carbon steel curl PN25 U type Male / Male BSP DN 1/4" **Ref. 9880205**

PRESSURE GAUGE VERTICAL STAINLESS STEEL BOX WITH GLYCERINE D.63 BSP BAR/PSI
GRADUATIONS :

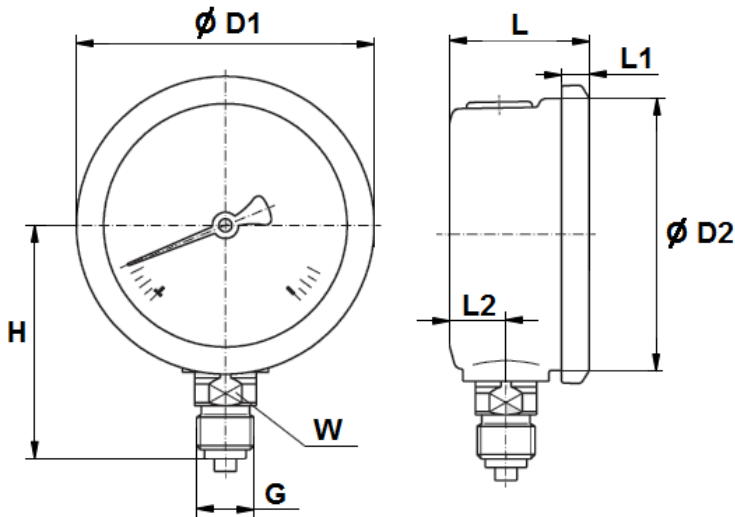
Range (bar)	Graduation (bar)	Range (psi)	Graduation (psi)	Ref.
-1 / +1	0,05	-15/+15	0,5	1613001
0 / 1,6	0,02	0/23	0,5	1613002
0 / 2,5	0,05	0/35	0,5	1613003
0 / 4	0,1	0/60	1	1613004
0 / 6	0,1	0/90	2	1613005
0 / 10	0,2	0/150	2	1613006
0 / 16	0,2	0/230	5	1613007
0 / 25	0,5	0/350	5	1613008
0 / 40	1	0/600	10	1613009
0 / 60	1	0/900	20	1613010
0 / 100	2	0/1500	20	1613011
0 / 160	2	0/2300	50	1613012
0 / 250	5	0/3500	50	1613013
0 / 400	10	0/6000	100	1613014
0 / 600	10	0/9000	200	1613015

MATERIALS :

DESIGNATION	MATERIALS
Box	AISI 304
Fitting	Brass
Mechanism	Brass
Dial	Duralumin
Glass	Plexiglass
Needle	Steel

PRESSURE GAUGE VERTICAL STAINLESS STEEL BOX WITH GLYCERINE D.63 BSP BAR/PSI

SIZE (in mm) :



Ref.	1613
L2	10
L	28,7
Ø D1	68
Ø D2	62
L1	6,3
G	1/4
H	55
W	14
Weight (kg)	0,25

STANDARDS :

- Manufacturer certified ISO 9001 : 2015
- Designing according to EN 837-1
- DIRECTIVE 2014/68/EU : Products excluded from directive (article 4, § 3)
- Threaded male BSP cylindrical ends according to ISO 228-1

ADVICE : Our opinion and our advice are not guaranteed and SFERACO shall not be liable for the consequences of damages. The customer must check the right choice of the products with the real service conditions.