

**PRESSURE GAUGE VERTICAL ALL STAINLESS STEEL DRY DIAL D.63 BSP**

Pressure gauge vertical all stainless steel dry dial for liquid and gas network, not for viscous or crystallizing liquid and not attacking copper alloys, also in aggressive atmospheres, chemicals, petrochemicals, energy production, mining, on and offshore, environmental technology, construction of machines and technical installations.

Safety glass.

Protection indice IP65.

Dry dial fillable.



**Size :** Ø63

**Connection :** Male 1/4" BSP

**Min Temperature :** +0°C (Ambience -20°C)

**Max Temperature :** +100°C (Ambience +60°C)

**Pressure Range :** -1/+1 Bar to 0/+60 Bars

**Specifications :** All Stainless steel

Dry dial fillable

Safety glass

Class 1.6

**Materials :** AISI 304 box

**PRESSURE GAUGE VERTICAL ALL STAINLESS STEEL DRY DIAL D.63 BSP**

**SPECIFICATIONS :**

- All stainless steel
- Stainless steel mechanism
- Dry dial ( to be fitted in )
- Safety glass
- 1,6 class
- Protection IP65
- Bottom connection BSP threaded

**USE :**

- Not for viscous or crystallizing liquid
- Agressive atmospheres, chemicals, petrochemicals, energy production, mining, on and offshore, environmental technology, construction of machines and technical installations.
- Min and max Temperature Ts : 0°C to +100°C ( ambience -20°C à + 60°C )

**RANGE :**

- All stainless steel pressure gauge with dry dial Ø 63 with bottom BSP 1/4" male connection, range -1/+1 to 0/60 bars **Ref. 1616**

**ACCESSORIES :**



- SS curl PN20 Male / Female BSP  
○ DN 1/4" **Ref. 9880207**



- 250 ml glycerine bottle **Ref. 9880401**

**PRESSURE GAUGE VERTICAL ALL STAINLESS STEEL DRY DIAL D.63 BSP**
**GRADUATIONS :**

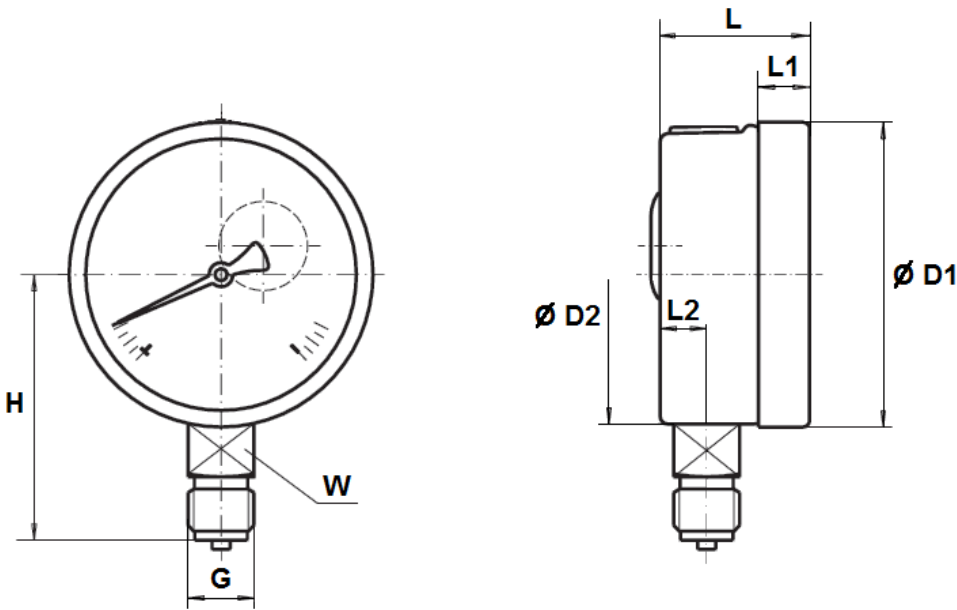
| Range (bar) | Graduation (bar) | Ref.    |
|-------------|------------------|---------|
| -1 / +1     | 0,05             | 1616001 |
| 0 / 1,6     | 0,02             | 1616002 |
| 0 / 2,5     | 0,05             | 1616003 |
| 0 / 4       | 0,1              | 1616004 |
| 0 / 6       | 0,1              | 1616005 |
| 0 / 10      | 0,2              | 1616006 |
| 0 / 16      | 0,2              | 1616007 |
| 0 / 25      | 0,5              | 1616008 |
| 0 / 40      | 1                | 1616009 |
| 0 / 60      | 1                | 1616010 |

**MATERIALS :**

| DESIGNATION | MATERIALS    |
|-------------|--------------|
| Box         | AISI 304     |
| Fitting     | AISI 316     |
| Mechanism   |              |
| Dial        | Aluminium    |
| Glass       | Safety glass |
| Needle      | Aluminium    |

**PRESSURE GAUGE VERTICAL ALL STAINLESS STEEL DRY DIAL D.63 BSP**

**SIZE ( in mm ) :**



| DN            | 63       |
|---------------|----------|
| Ø D1          | 68       |
| Ø D2          | 62       |
| H             | 56       |
| G             | 1/4" BSP |
| L             | 32       |
| L1            | 6        |
| L2            | 10.5     |
| W             | 14       |
| Weight ( Kg ) | 0.15     |

**STANDARDS :**

- Manufacturer certified ISO 9001 : 2015
- Designing according to EN 837-1
- DIRECTIVE 2014/68/EU : Products excluded from directive ( article 4, § 3 )
- Male BSP threading according to ISO 228-1

**ADVICE :** Our opinion and our advice are not guaranteed and SFERACO shall not be liable for the consequences of damages. The customer must check the right choice of the products with the real service conditions.