

PRESSURE GAUGE VERTICAL ALL STAINLESS STEEL DRY DIAL D.100 BSP

Pressure gauge vertical all stainless steel dry dial for liquid and gas network, not for viscous or crystallizing liquid and not attacking copper alloys, also in aggressive atmospheres, chemicals, petrochemicals, energy production, mining, on and offshore, environmental technology, construction of machines and technical installations.

Safety glass.

Protection indice IP65.

Dry dial fillable.



Size : Ø100

Connection : Male 1/2" BSP

Min Temperature : +0°C (Ambience -20°C)

Max Temperature : +100°C (Ambience +60°C)

Pressure Range : -1/+1 Bar to 0/+60 Bars

Specifications : All Stainless steel

Dry dial fillable

Safety glass

Class 1

Materials : AISI 304 box

PRESSURE GAUGE VERTICAL ALL STAINLESS STEEL DRY DIAL D.100 BSP

SPECIFICATIONS :

- All stainless steel
- Stainless steel mechanism
- Dry dial (to be fitted in)
- Safety glass
- 1 class
- Protection IP65
- Bottom connection BSP threaded
- With vent security

USE :

- Not for viscous or crystallizing liquid
- Chemicals, petrochemicals, energy production, mining, on and offshore, environmental technology, construction of machines and technical installations
- Min and max Temperature Ts : 0°C to +100°C (ambience -20°C à + 60°C)

RANGE :

- All stainless steel pressure gauge with dry dial Ø 100 with bottom BSP 1/2" male connection, range -1/+1 to 0/60 bars **Ref. 1617**

ACCESSORIES :



- SS curl PN20 Male / Female BSP
 - DN 1/2" **Ref. 9880208**



- 250 ml glycerine bottle **Ref. 9880401**

PRESSURE GAUGE VERTICAL ALL STAINLESS STEEL DRY DIAL D.100 BSP
GRADUATIONS :

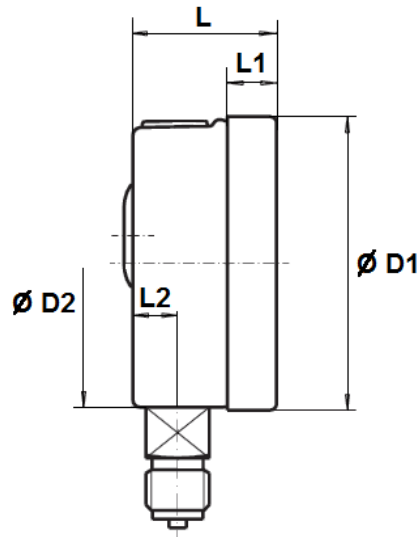
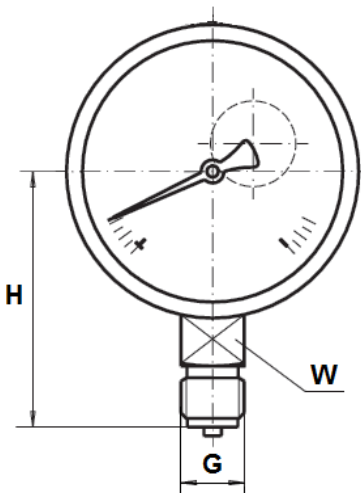
Range (bar)	Graduation (bar)	Ref.
-1 / +1	0,05	1617001
0 / 1,6	0.02	1617002
0 / 2,5	0.05	1617003
0 / 4	0,1	1617004
0 / 6	0,1	1617005
0 / 10	0,2	1617006
0 / 16	0,2	1617007
0 / 25	0,5	1617008
0 / 40	1	1617009
0 / 60	1	1617010

MATERIALS :

DESIGNATION	MATERIALS
Box	AISI 304
Fitting	AISI 316
Mechanism	
Dial	Aluminium
Glass	Safety glass
Needle	Aluminium

PRESSURE GAUGE VERTICAL ALL STAINLESS STEEL DRY DIAL D.100 BSP

SIZE (in mm) :



DN	100
Ø D1	100.8
Ø D2	99
H	90
G	1/2" BSP
L	48
L1	14
L2	16
W	22
Weight (Kg)	0.5

STANDARDS :

- Manufacturer certified ISO 9001 : 2015
- Designing according to EN 837-1
- DIRECTIVE 2014/68/EU : Products excluded from directive (article 4, § 3)
- Threaded male BSP cylindrical ends according to ISO 228-1

ADVICE : Our opinion and our advice are not guaranteed and SFERACO shall not be liable for the consequences of damages. The customer must check the right choice of the products with the real service conditions.