

PRESSURE GAUGE VERTICAL ALL STAINLESS STEEL WITH GLYCERINE D.100 BSP

Pressure gauge vertical all stainless steel with glycerine for liquid and gas network, not for viscous or crystallizing liquid and not attacking copper alloys, also in aggressive atmospheres, chemicals, petrochemicals, energy production, mining, on and offshore, environmental technology, construction of machines and technical installations.

Safety glass.

Protection indice IP65.

With vent security.



Size : Ø100
Connection : Male 1/2" BSP
Min Temperature : +0°C
Max Temperature : +60°C
Pressure Range : -1/+1 Bar to 0/+60 Bars
Specifications : All Stainless steel
Stainless steel mechanism
With glycerine
Class 1

Materials : AISI 304 box

PRESSURE GAUGE VERTICAL ALL STAINLESS STEEL WITH GLYCERINE D.100 BSP

SPECIFICATIONS :

- All stainless steel
- Stainless steel mechanism
- With glycerine
- Safety glass
- 1 Class
- Protection IP65
- Bottom connection BSP threaded
- With vent security

USE :

- Not for viscous or crystallizing liquid
- Chemicals, petrochemicals, energy production, mining, on and offshore, environmental technology, construction of machines and technical installations
- Min and max Temperature Ts : 0°C to +60°C

RANGE :

- All stainless steel pressure gauge with glycerine Ø 100 with 1/2" BSP bottom connection, range from -1/+1 to 0/60 bars **Ref. 1618**

ACCESSORIES :



- SS curl PN20 Male / Female BSP DN 1/2" **Ref. 9880208**



- 250 ml glycerine bottle **Ref. 9880401**

PRESSURE GAUGE VERTICAL ALL STAINLESS STEEL WITH GLYCERINE D.100 BSP
GRADUATIONS :

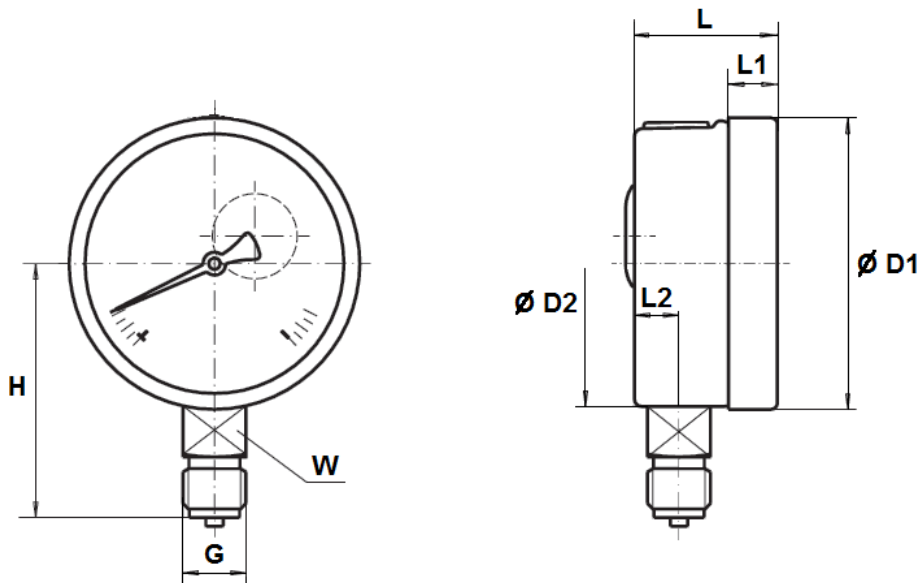
| Range (bar) | Graduation (bar) | Ref. |
|-------------|------------------|---------|
| -1 / +1 | 0,05 | 1618001 |
| 0 / 1,6 | 0.02 | 1618002 |
| 0 / 2,5 | 0.05 | 1618003 |
| 0 / 4 | 0,1 | 1618004 |
| 0 / 6 | 0,1 | 1618005 |
| 0 / 10 | 0,2 | 1618006 |
| 0 / 16 | 0,2 | 1618007 |
| 0 / 25 | 0,5 | 1618008 |
| 0 / 40 | 1 | 1618009 |
| 0 / 60 | 1 | 1618010 |

MATERIALS :

| DESIGNATION | MATERIALS |
|-------------|--------------|
| Box | AISI 304 |
| Fitting | AISI 316 |
| Mechanism | |
| Dial | Aluminium |
| Glass | Safety glass |
| Needle | Aluminium |

PRESSURE GAUGE VERTICAL ALL STAINLESS STEEL WITH GLYCERINE D.100 BSP

SIZE (in mm) :



| DN | 100 |
|---------------|----------|
| Ø D1 | 100.8 |
| Ø D2 | 98.6 |
| H | 90 |
| G | 1/2" BSP |
| L | 48 |
| L1 | 14.5 |
| L2 | 16 |
| W | 22 |
| Weight (Kg) | 0.77 |

STANDARDS :

- Manufacturer certified ISO 9001 : 2015
- Designing according to EN 837-1
- DIRECTIVE 2014/68/EU : Products excluded from directive (article 4, § 3)
- Male BSP threading according to ISO 228-1

ADVICE : Our opinion and our advice are not guaranteed and SFERACO shall not be liable for the consequences of damages. The customer must check the right choice of the products with the real service conditions.