

PRESSURE GAUGE AXIAL ALL STAINLESS STEEL DRY DIAL D.63 BSP

Pressure gauge axial all stainless steel dry dial for liquid and gas network, not for viscous or crystallizing liquid and not attacking copper alloys, also in aggressive atmospheres, chemicals, petrochemicals, energy production, mining, on and offshore, environmental technology, construction of machines and technical installations.

Safety glass.

Protection indice IP65.

Dry dial fillable.



Size : Ø63
Connection : Male 1/4" BSP
Min Temperature : +0°C (Ambience -20°C)
Max Temperature : +100°C (Ambience +60°C)
Pressure Range : -1/+1 Bar to 0/+60 Bars
Specifications : All Stainless steel
Dry dial fillable
Safety glass
Class 1.6

Materials : AISI 304 box

PRESSURE GAUGE AXIAL ALL STAINLESS STEEL DRY DIAL D.63 BSP

SPECIFICATIONS :

- All stainless steel
- Stainless steel mechanism
- Dry dial (to be fitted in)
- Safety glass
- 1,6 class
- Protection IP65
- Back connection BSP threaded

USE :

- Not for viscous or crystallizing liquid
- Agressive atmospheres, chemicals, petrochemicals, energy production, mining, on and offshore, environmental technology, construction of machines and technical installations.
- Min and max Temperature Ts : 0°C to +100°C (ambience -20°C à + 60°C)

RANGE :

- All stainless steel pressure gauge with dry dial Ø 63 with back BSP 1/4" male connection, range -1/+1 to 0/60 bars **Ref. 1626**

ACCESSORIES :



- 250 ml glycerine bottle **Ref. 9880401**



- Steel support with screws **Ref. 9880010**

PRESSURE GAUGE AXIAL ALL STAINLESS STEEL DRY DIAL D.63 BSP
GRADUATIONS :

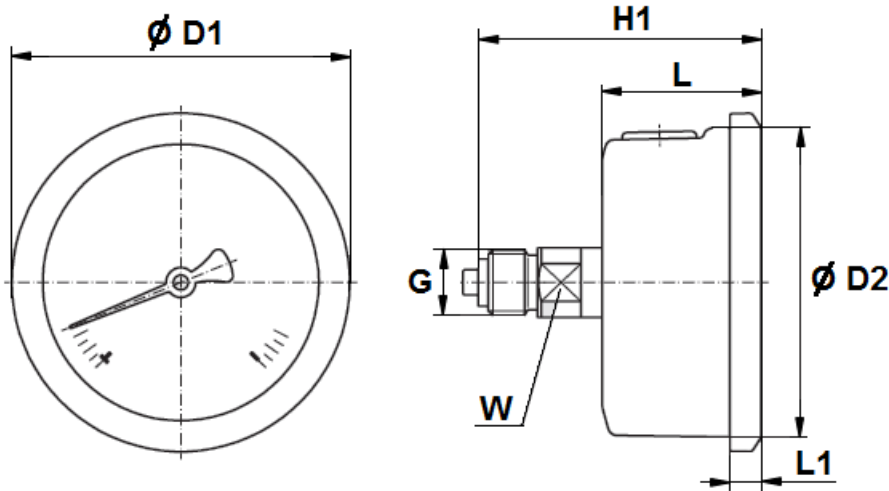
Range (bar)	Graduation (bar)	Ref.
-1 / +1	0,05	1626001
0 / 1,6	0,02	1626002
0 / 2,5	0,05	1626003
0 / 4	0,1	1626004
0 / 6	0,1	1626005
0 / 10	0,2	1626006
0 / 16	0,2	1626007
0 / 25	0,5	1626008
0 / 40	1	1626009
0 / 60	1	1626010

MATERIALS :

DESIGNATION	MATERIALS
Box	AISI 304
Fitting	AISI 316
Mechanism	
Dial	Aluminium
Glass	Safety glass
Needle	Aluminium

PRESSURE GAUGE AXIAL ALL STAINLESS STEEL DRY DIAL D.63 BSP

SIZE (in mm) :



DN	63
$\varnothing D1$	69
$\varnothing D2$	62.4
H1	55
G	1/4" BSP
L	32.2
L1	6.3
W	14
Weight (Kg)	0.15

STANDARDS :

- Manufacturer certified ISO 9001 : 2015
- Designing according to EN 837-1
- DIRECTIVE 2014/68/EU : Products excluded from directive (article 4, § 3)
- Male BSP threading according to ISO 228-1

ADVICE : Our opinion and our advice are not guaranteed and SFERACO shall not be liable for the consequences of damages. The customer must check the right choice of the products with the real service conditions.