

GAS CAPSULE PRESSURE GAUGE VERTICAL STAINLESS STEEL BOX DRY DIAL D.63 BSP

Gas capsule pressure gauge vertical stainless steel box with dry dial for liquid and gas network, not for viscous or crystallizing liquid and not attacking copper alloys, for medical, environment and laboratories.

Millibars graduations.
Protection indice IP31.



Size : Ø63
Connection : Male 1/4" BSP
Min Temperature : +0°C
Max Temperature : +60°C
Pressure Range : 0/60 mbar to 0/+600 mbar
Specifications : Stainless steel box
Capsule type
Brass fitting
Class 2.5

Materials : AISI 304 box

GAS CAPSULE PRESSURE GAUGE VERTICAL STAINLESS STEEL BOX DRY DIAL D.63 BSP

SPECIFICATIONS :

- Stainless steel box
- Brass fitting
- Capsule type
- Millibars graduations
- Dry dial
- 2.5 Class
- Protection IP31
- Bottom BSP threaded

USE :

- For gas
- Medical, environment, laboratories
- Min and max Temperature Ts : 0°C to +60°C

RANGE :

- Dry dial gas pressure gauge Ø 63 with male bottom connection 1/4" threaded, range from 0/60 to 0/600 mbars **Ref. 1633**

ACCESSORIES :



- Copper curl PN25 Male / Female BSP
 - DN 1/4" **Ref. 9880202**



- Stainless steel curl PN20 Male / Female BSP
 - DN 1/4" **Ref. 9880207**



- Steel curl PN25 Male / Male BSP
 - DN 1/4" **Ref. 9880200**



- Push open valves Female / Female BSP PN4
 - DN 1/4" **Ref. 9880302**

GAS CAPSULE PRESSURE GAUGE VERTICAL STAINLESS STEEL BOX DRY DIAL D.63 BSP
GRADUATIONS :

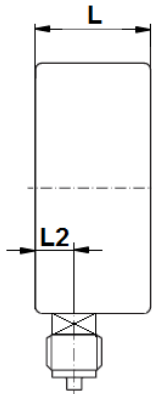
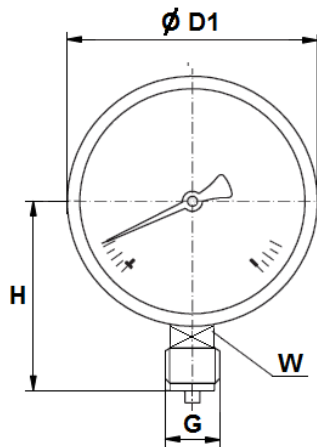
Range (mbar)	Graduation (mbar)	Ref.
0 / 60	2	1633001
0 / 100	5	1633002
0 / 250	10	1633003
0 / 400	10	1633004
0 / 600	20	1633005

MATERIALS :

DESIGNATION	MATERIALS
Box	AISI 304
Fitting	Brass
Mechanism	
Dial	Duralumin
Gasket	NBR
Glass Ø63	Acrylic
Glass Ø100	Polycarbonate
Needle	Duralumin

GAS CAPSULE PRESSURE GAUGE VERTICAL STAINLESS STEEL BOX DRY DIAL D.63 BSP

SIZE(in mm) :



DN	63
L	46.7
L2	9
Ø D1	65
L1	3
G	1/4
H	54
W	14
Weight (kg)	0.19

STANDARDS :

- Manufacturer certified ISO 9001 : 2015
- Designing according to EN 837-3
- DIRECTIVE 2014/68/EU : Products excluded from directive (article 4, § 3)
- Threaded male BSP cylindrical ends according to ISO 228-1

ADVICE : Our opinion and our advice are not guaranteed and SFERACO shall not be liable for the consequences of damages. The customer must check the right choice of the products with the real service conditions.