

PRESSURE GAUGE VERTICAL ABS BOX DRY DIAL D.100 BSP

Vertical pressure gauge abs box dry dial for liquid and gas network, not for viscous or crystallizing liquid and not attacking copper alloys, for pneumatic, heating, cooling, airing and compressors.

Plexiglas glass.

Brass fitting.



Size : Ø100

Connection : Male 1/2" BSP

Min Temperature : +0°C

Max Temperature : +60°C

Pressure Range : 0/+4 Bar to 0/+40 Bars

Specifications : ABS box

Bourdon brass tube

Brass fitting

Plexiglas glass

Class 1.6

Materials : ABS box

PRESSURE GAUGE VERTICAL ABS BOX DRY DIAL D.100 BSP

SPECIFICATIONS :

- ABS box
- Brass bourdon tube
- Brass fitting
- Plexiglas glass
- Dry dial
- 1.6 class
- Bottom BSP threaded

USE :

- Not for viscous or crystallizing liquid
- Pneumatic, heating, cooling, airing, medical equipments and compressors
- Min and max Temperature Ts : 0°C to +60°C

RANGE :

- ABS box pressure gauge with dry dial Ø 100 with bottom connection male 1/2" BSP threaded, range from 0/4 to 0/40 bars **Ref. 1645**

PRESSURE GAUGE VERTICAL ABS BOX DRY DIAL D.100 BSP
GRADUATIONS :

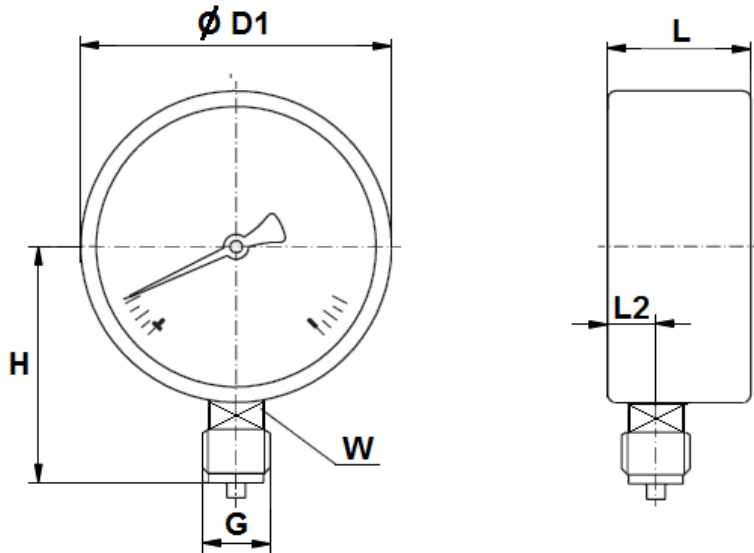
Range (bar)	Graduation (bar)	Ref.
0 / 4	0,1	1645004
0 / 6	0,1	1644005
0 / 10	0,2	1645006
0 / 16	0,2	1645007
0 / 25	0,5	1645008
0 / 40	1	1645009

MATERIALS :

DESIGNATION	MATERIALS
Box	ABS
Fitting	Brass
Mechanism	
Dial	Plastic
Glass	Plexiglas
Needle	Duralumin

PRESSURE GAUGE VERTICAL ABS BOX DRY DIAL D.100 BSP

SIZE (in mm) :



DN	100
L2	15
L	34
$\varnothing D1$	98.5
G	1/2"
H	80.3
W	22
Weight (Kg)	0.2

STANDARDS :

- Manufacturer certified ISO 9001 : 2015
- Designing according to EN 837-1
- DIRECTIVE 2014/68/EU : Products excluded from directive (article 4, § 3)
- Threaded male BSP cylindrical ends according to ISO 228-1

ADVICE : Our opinion and our advice are not guaranteed and SFERACO shall not be liable for the consequences of damages. The customer must check the right choice of the products with the real service conditions.