

DUCTILE IRON BALL CHECK VALVE NF EN 12050-4 THREADED FEMALE BSP

Ductile iron ball check valve for water distribution and watering.
Ductile iron EN GJS-400-15 body with anti-corrosion epoxy painting and stainless steel bolting.
According to water pumping stations NF EN 12050-4
Bolted bonnet for easy maintenance.

Certificate

3.1



Size : DN1" to DN3"
Connection : Female BSP
Min Temperature : -10°C
Max Temperature : +70°C
Max Pressure : 10 Bars
Specifications : Aluminium NBR coated ball
Horizontal or vertical with ascending fluid position
Bolted bonnet

Materials : Ductile iron EN GJS-400-15 body

DUCTILE IRON BALL CHECK VALVE NF EN 12050-4 THREADED FEMALE BSP

SPECIFICATIONS :

- Ball type
- Vertical with ascendant fluid or horizontal (respect the flow direction indicated by the arrow)
- Female / female BSP
- Removable bonnet for easy maintenance
- Anti-corrosion epoxy painting RAL 5017 blue color 150 microns thickness
- Anti-corrosion stainless steel bolting
- Aluminium NBR coated ball non floating
- Full bore
- Minimum backpressure for tightness between 0.3 and 0.5 bars

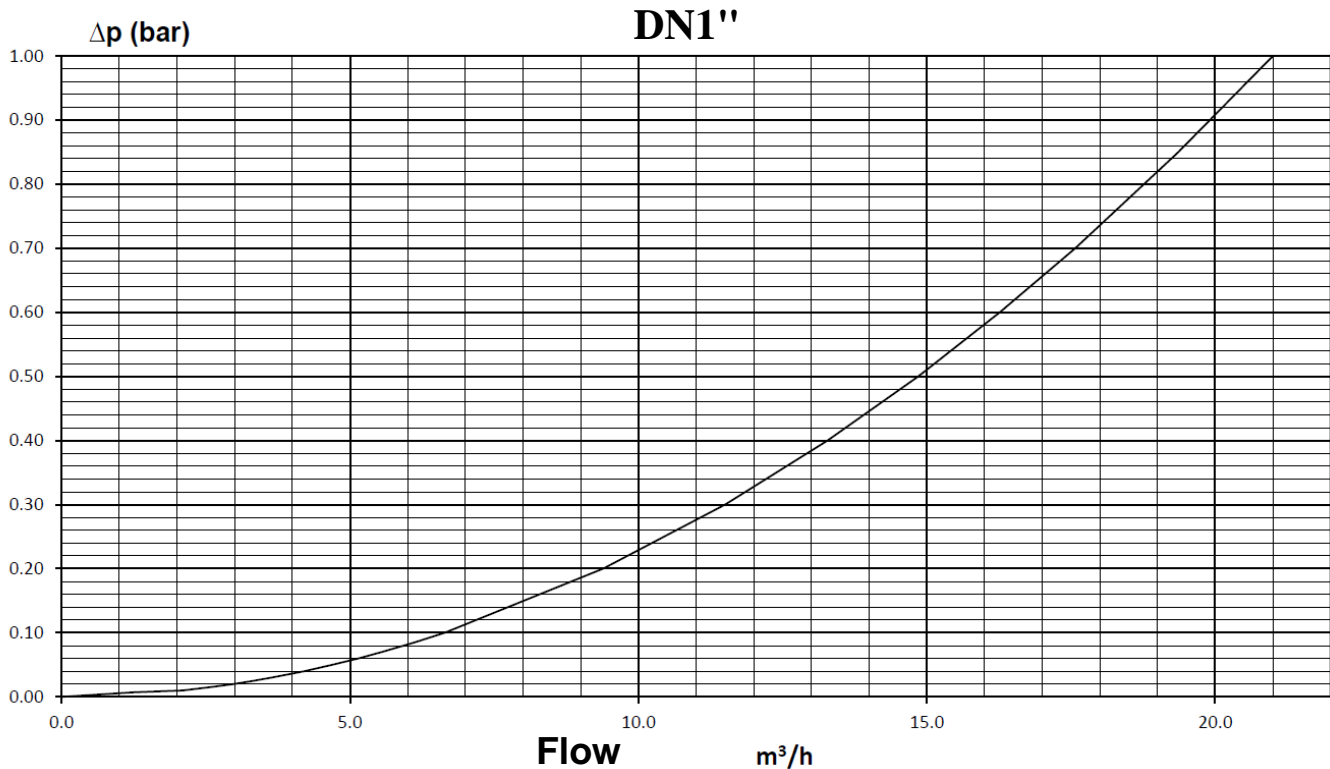
USE :

- Water distribution and watering
- Min Temperature Ts : - 10°C
- Max Temperature Ts :+ 70°C
- Max Pressure Ps : 10 bars

FLOW COEFFICIENT Kvs (in m³/h) :

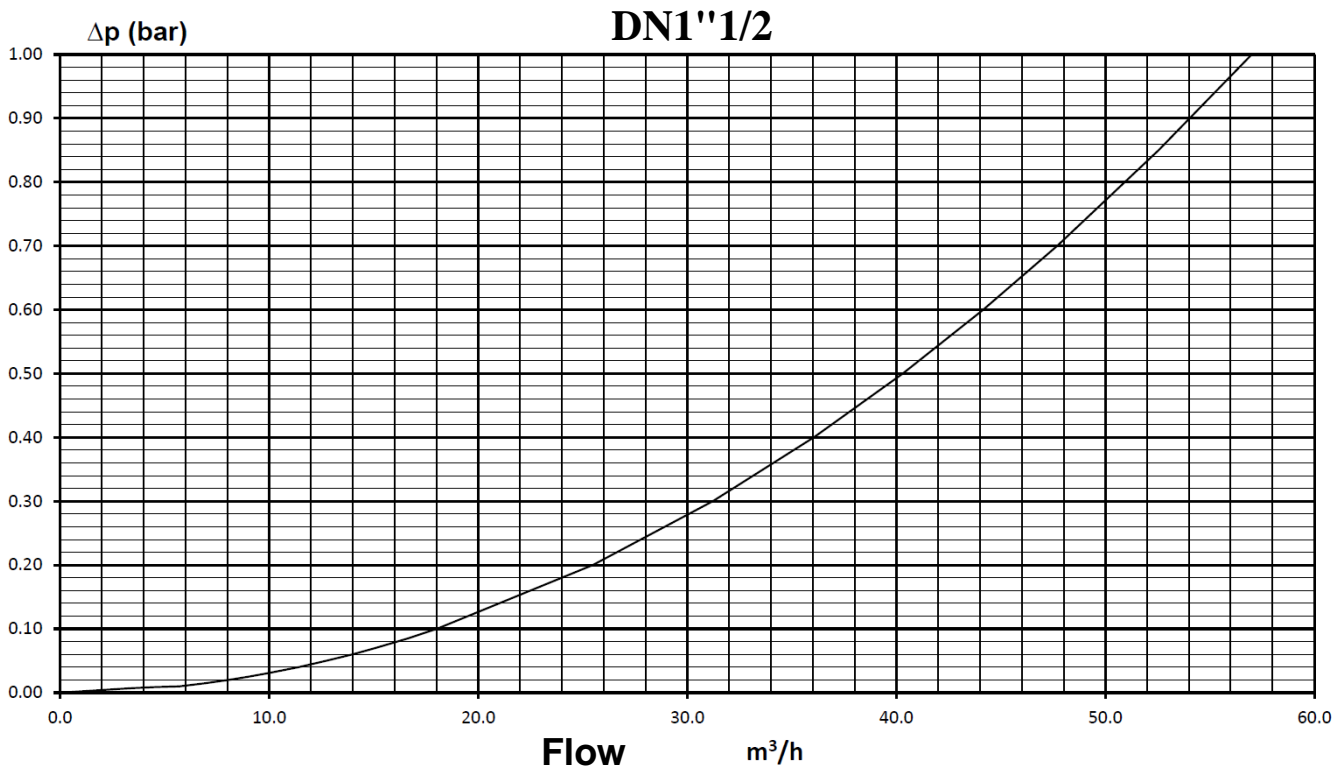
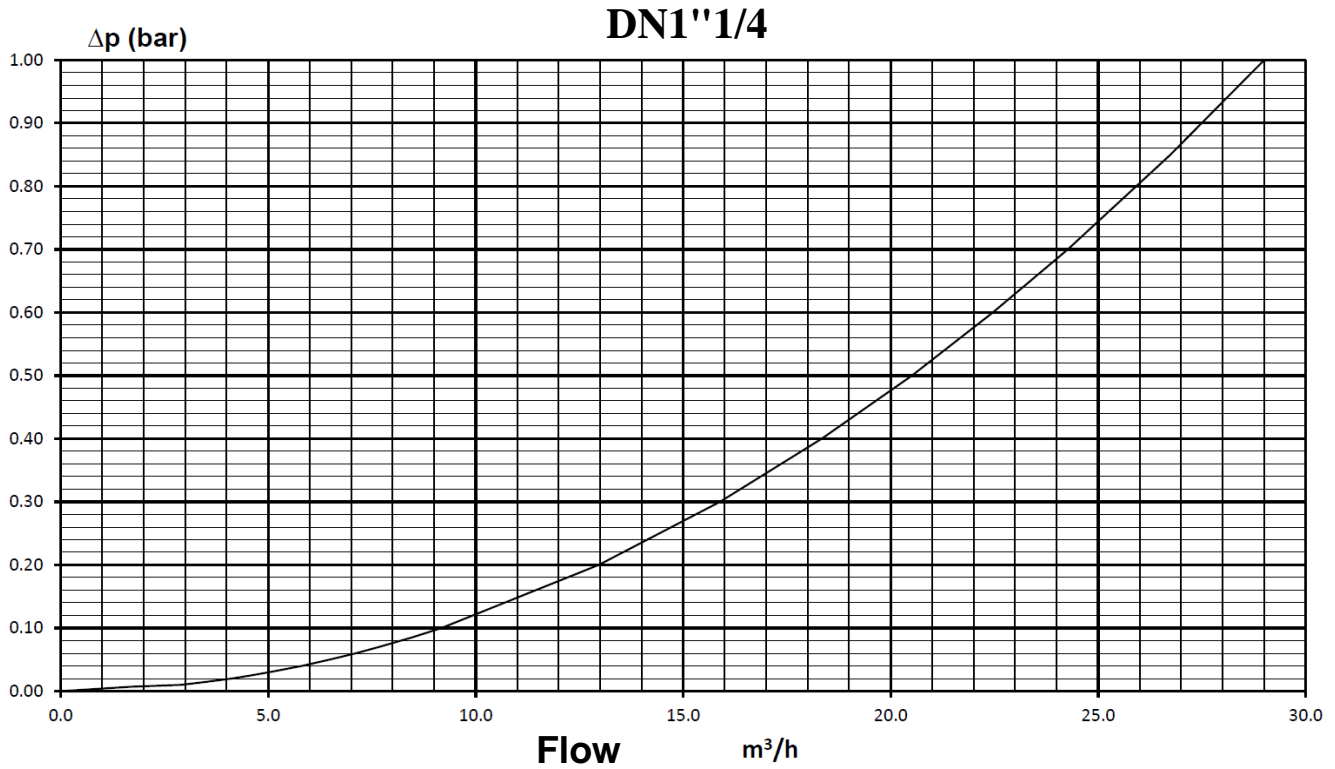
DN	1"	1"1/4	1"1/2	2"	2"1/2	3"
Kvs (m ³ /h)	21	29	57	78	120	250

HEAD LOSS :



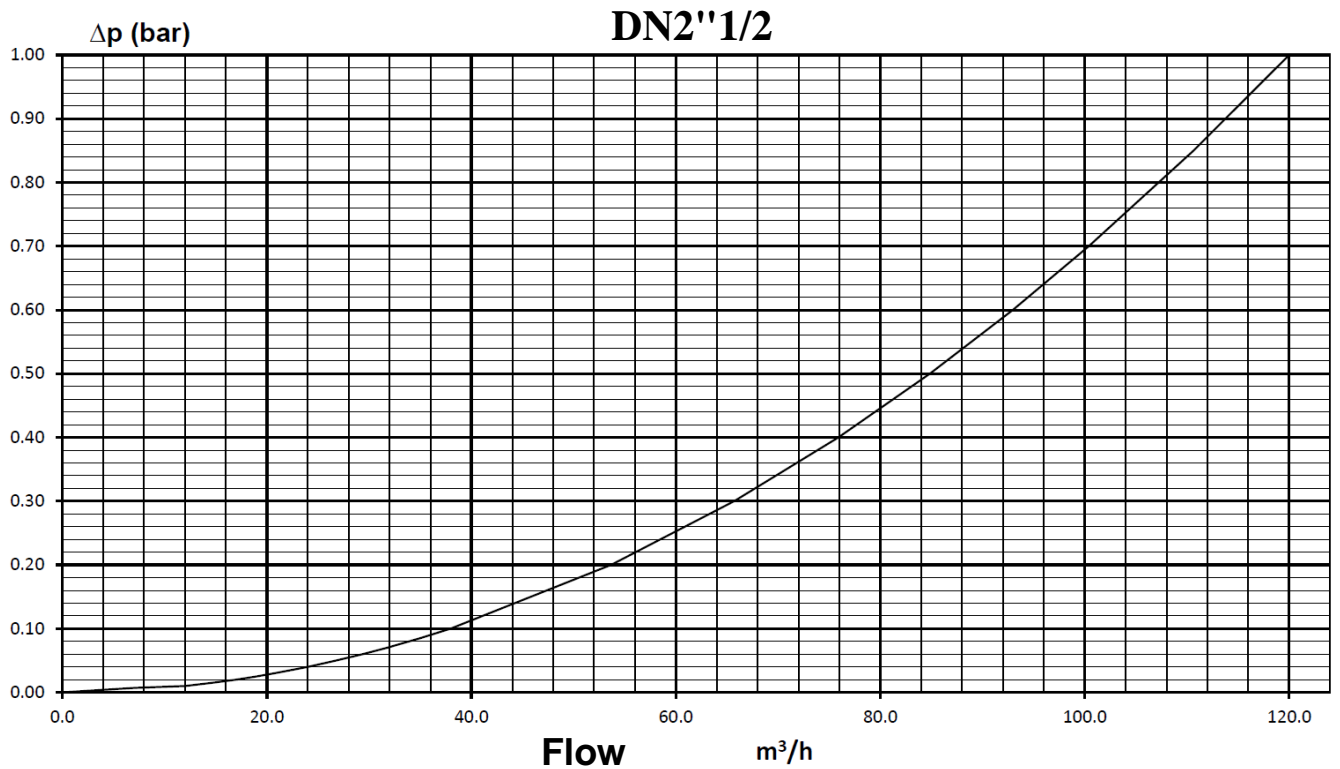
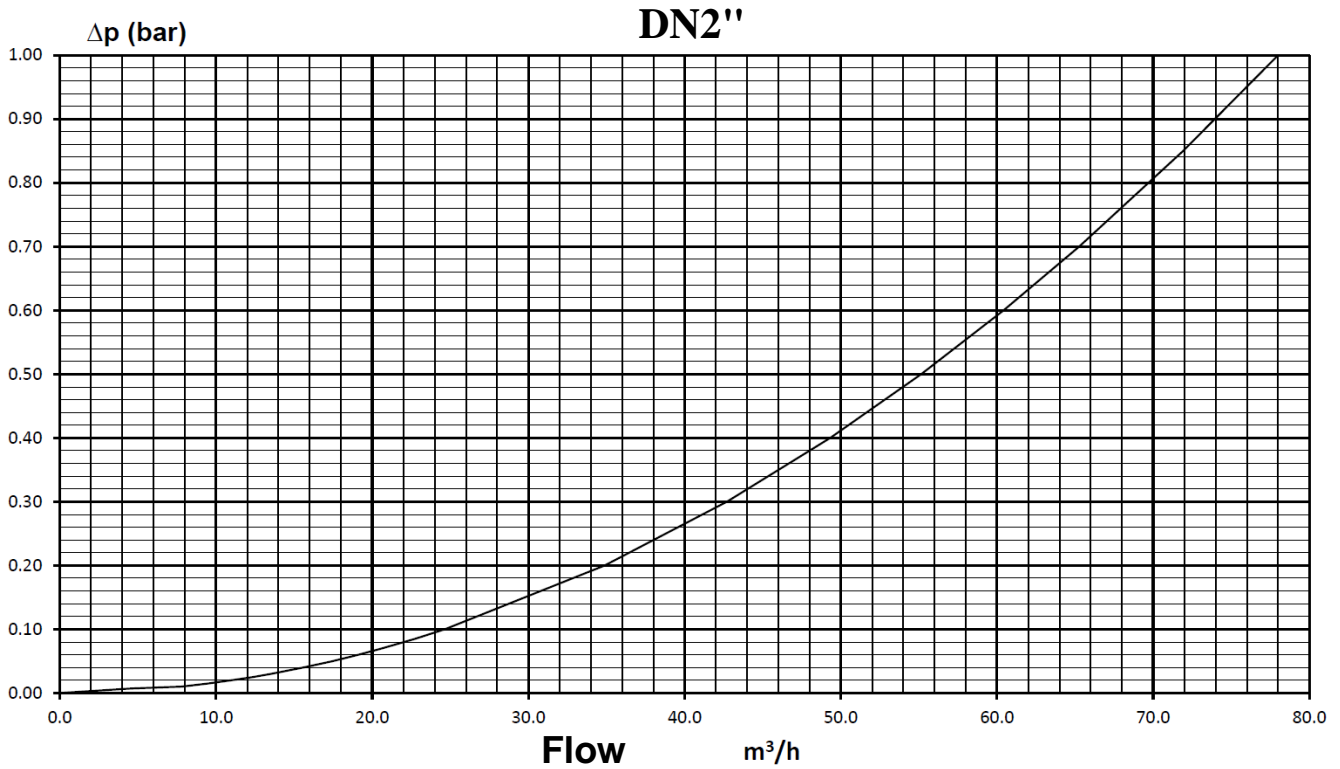
DUCTILE IRON BALL CHECK VALVE NF EN 12050-4 THREADED FEMALE BSP

HEAD LOSS :



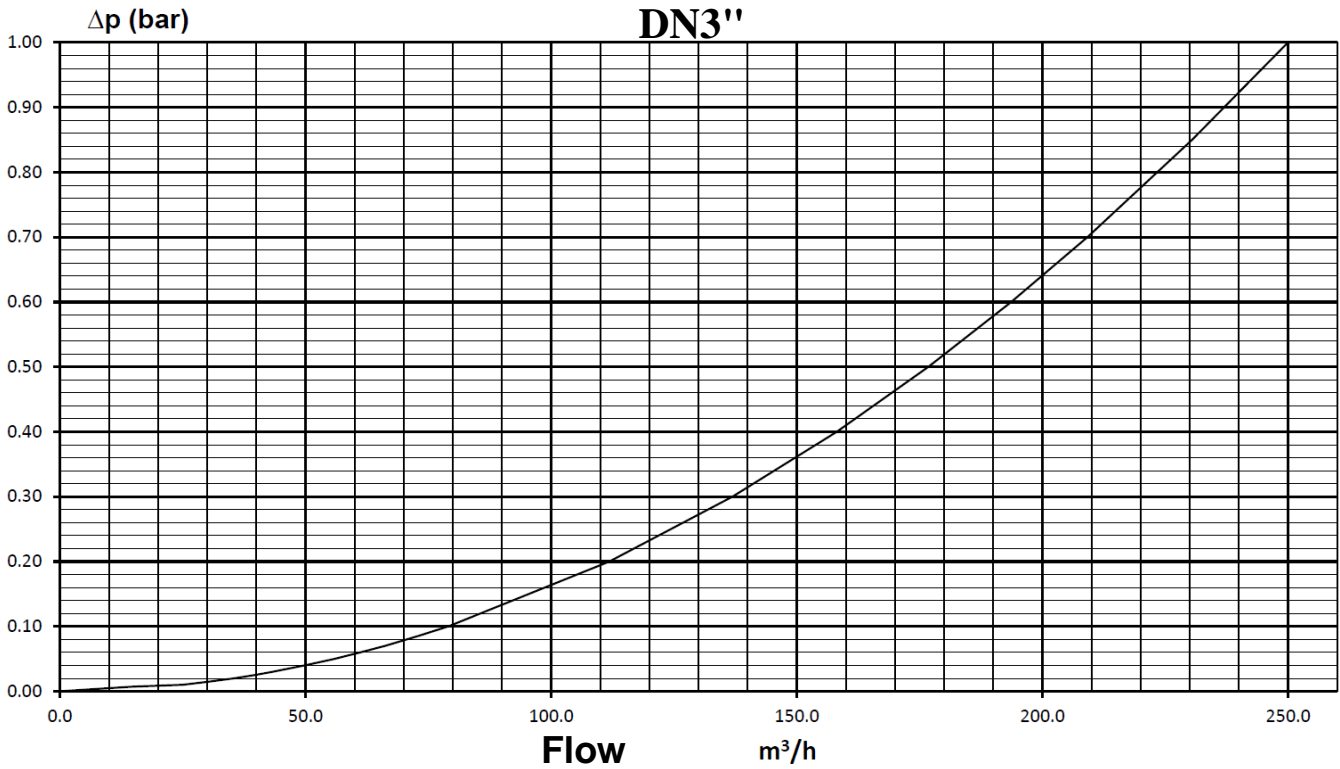
DUCTILE IRON BALL CHECK VALVE NF EN 12050-4 THREADED FEMALE BSP

HEAD LOSS :



DUCTILE IRON BALL CHECK VALVE NF EN 12050-4 THREADED FEMALE BSP

HEAD LOSS :

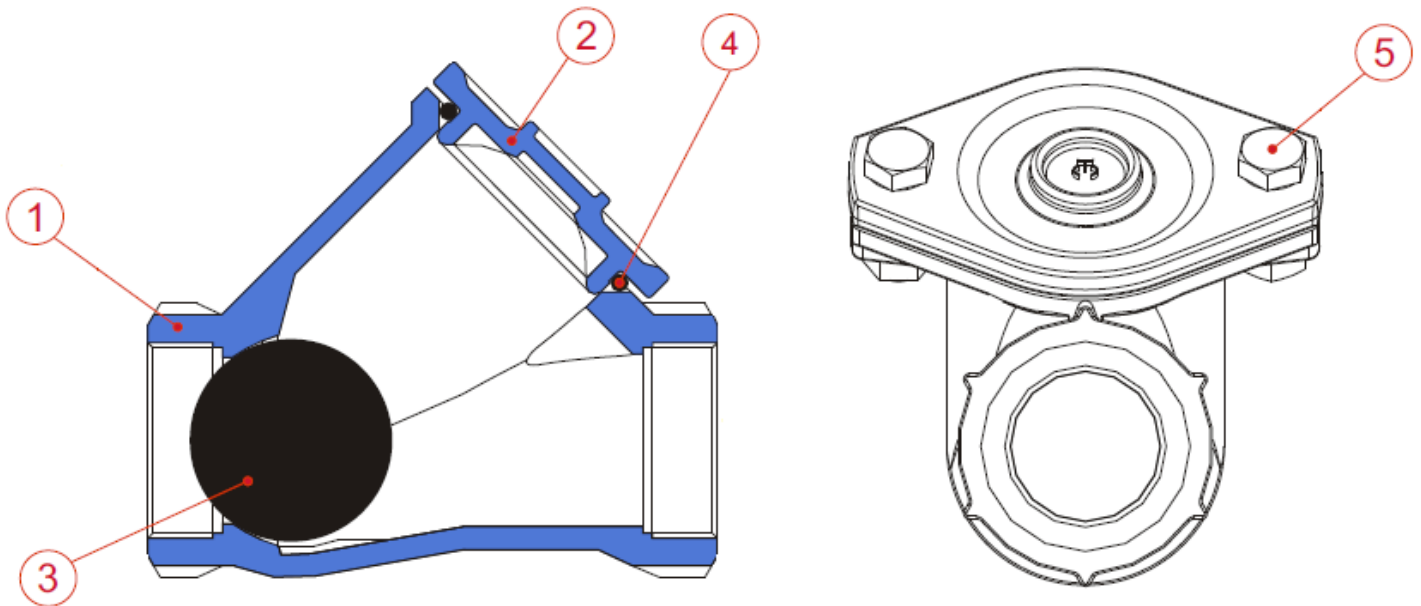


DUCTILE IRON BALL CHECK VALVE NF EN 12050-4 THREADED FEMALE BSP

RANGE :

- Ductile iron ball check valve Female / female threaded cylindrical BSP **Ref. 335** DN1" to 3"

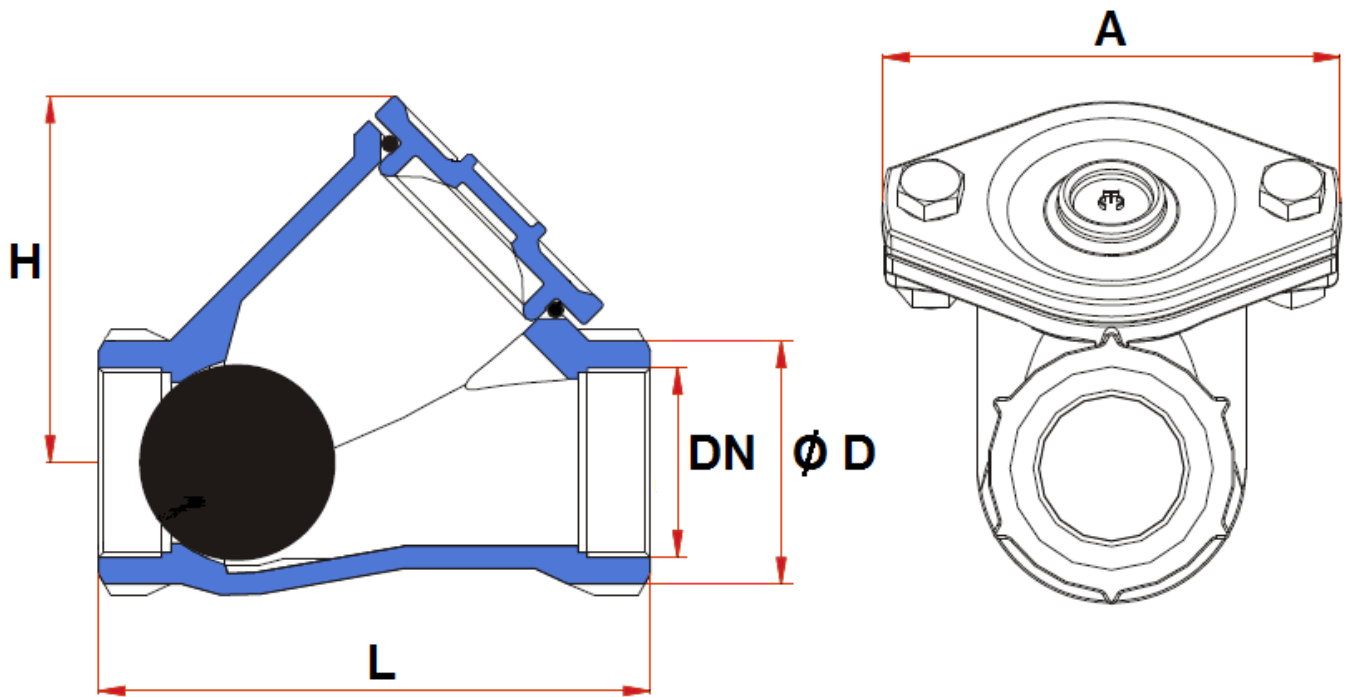
MATERIALS :



Item	Designation	Materials
1	Body	Ductile iron EN-GJS-400-15
2	Bonnet	
3	Ball	Aluminium + NBR
4	Bonnet gasket	NBR
5	Bolting	SS A-2

DUCTILE IRON BALL CHECK VALVE NF EN 12050-4 THREADED FEMALE BSP

SIZE (in mm) :



DN	1"	1"1/4	1"1/2	2"	2"1/2	3"
L	141	141	150	175	214	248
H	85	85	90	115	135	160
A	110	110	120	140	155	185
Ø D	57	57	64	77	95	108
Weight (in Kg)	2.2	2.2	2.8	3.9	6.5	8.1
Ref.	335006	335007	335008	335009	335010	335011

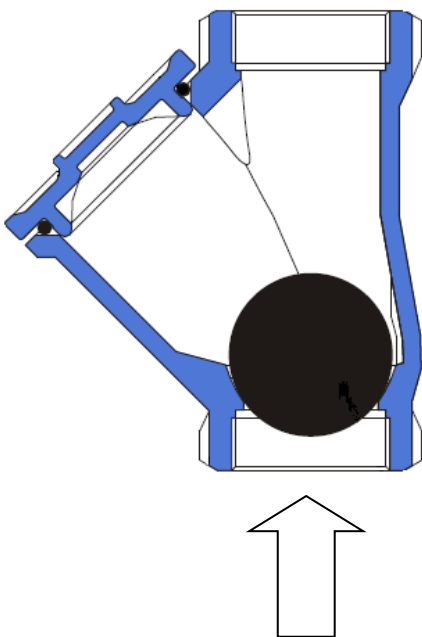
DUCTILE IRON BALL CHECK VALVE NF EN 12050-4 THREADED FEMALE BSP

STANDARDS :

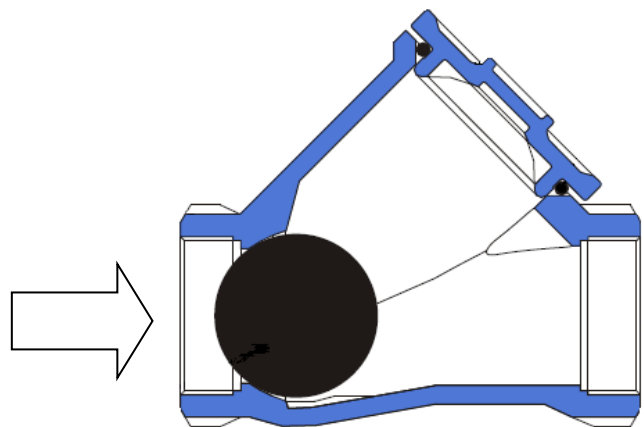
- Manufacturer certified ISO 9001: 2015 and ISO 14001 : 2015
- Designing according to EN 14341
- DIRECTIVE 2014/68/EU : Products excluded from directive (Article1, § 2b)
- Certificate 3.1 on request
- Tests according to ISO 5208, Rate A
- Threaded cylindrical female BSP ends according to ISO 228-1 and NFE 03-005
- According to water pumping stations NF EN 12050-4

INSTALLATION POSITIONS :

Vertical position (Ascendant fluid)



Horizontal position



ADVICE : Our opinion and our advice are not guaranteed and SFERACO shall not be liable for the consequences of damages. The customer must check the right choice of the products with the real service conditions.

Sferaco 90 rue du Ruisseau 38297 St Quentin Fallavier Tel: + 33 (0) 474.94.15.90 Fax: + 33 (0) 474.95.62.08 Internet: www.sferaco.fr E-mail : info@sferaco.fr