

BRONZE GLOBE CHECK VALVE PN25



Size : DN 1/4" to 2"
Ends : Female - Female BSP
Min Temperature : - 10°C
Max Temperature : + 180°C
Max Pressure : 25 Bars
Specifications : Union cap
Stainless steel seat
PTFE or Stainless steel disc

Materials : Bronze body

BRONZE GLOBE CHECK VALVE PN25

SPECIFICATIONS :

- Respect the flow direction indicated on the body by the arrow
- Horizontal position
- Bronze body with union cap
- Stainless steel disc
- PTFE or stainless steel disc
- BSP cylindrical female threaded

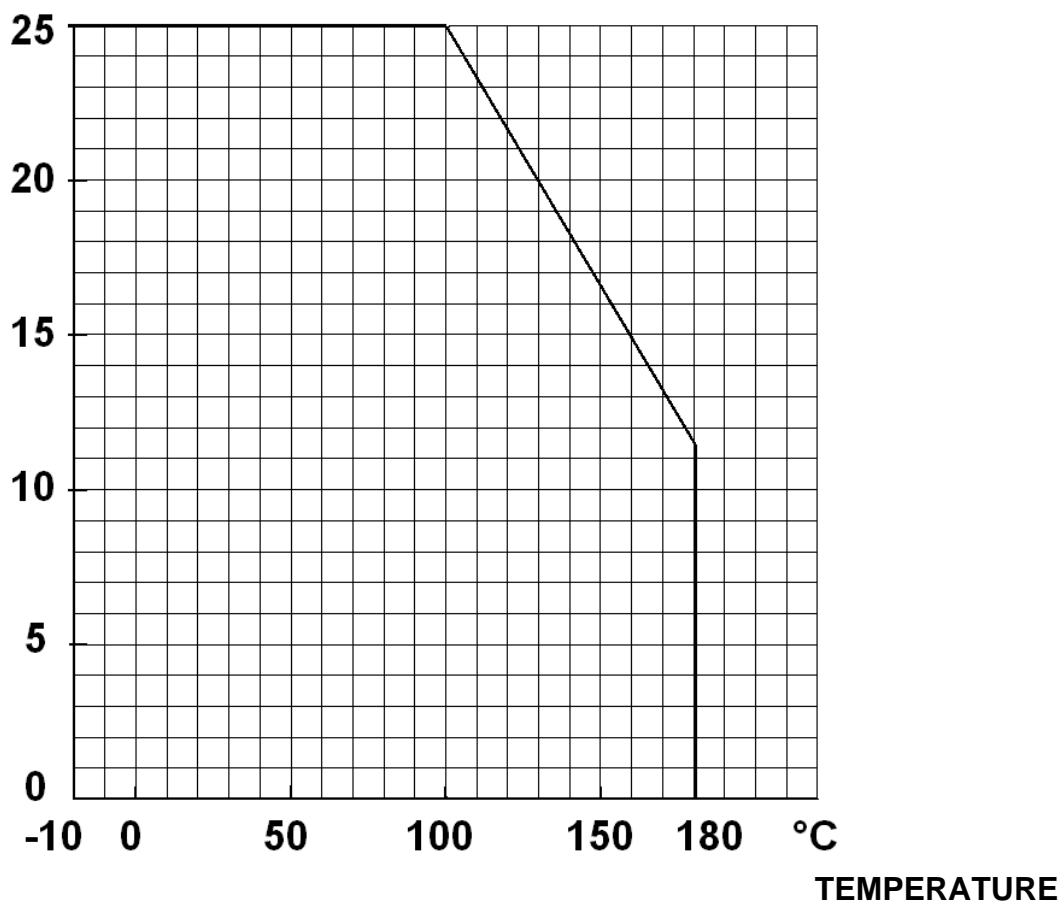
USE :

- Heating, water distribution and watering
- Min and max Temperature Ts : - 10°C to + 180°C
- Max Pressure Ps : 25 bars (see graph)

PRESSURE / TEMPERATURE GRAPH (STEAM EXCLUDED) :

PRESSURE

Bar

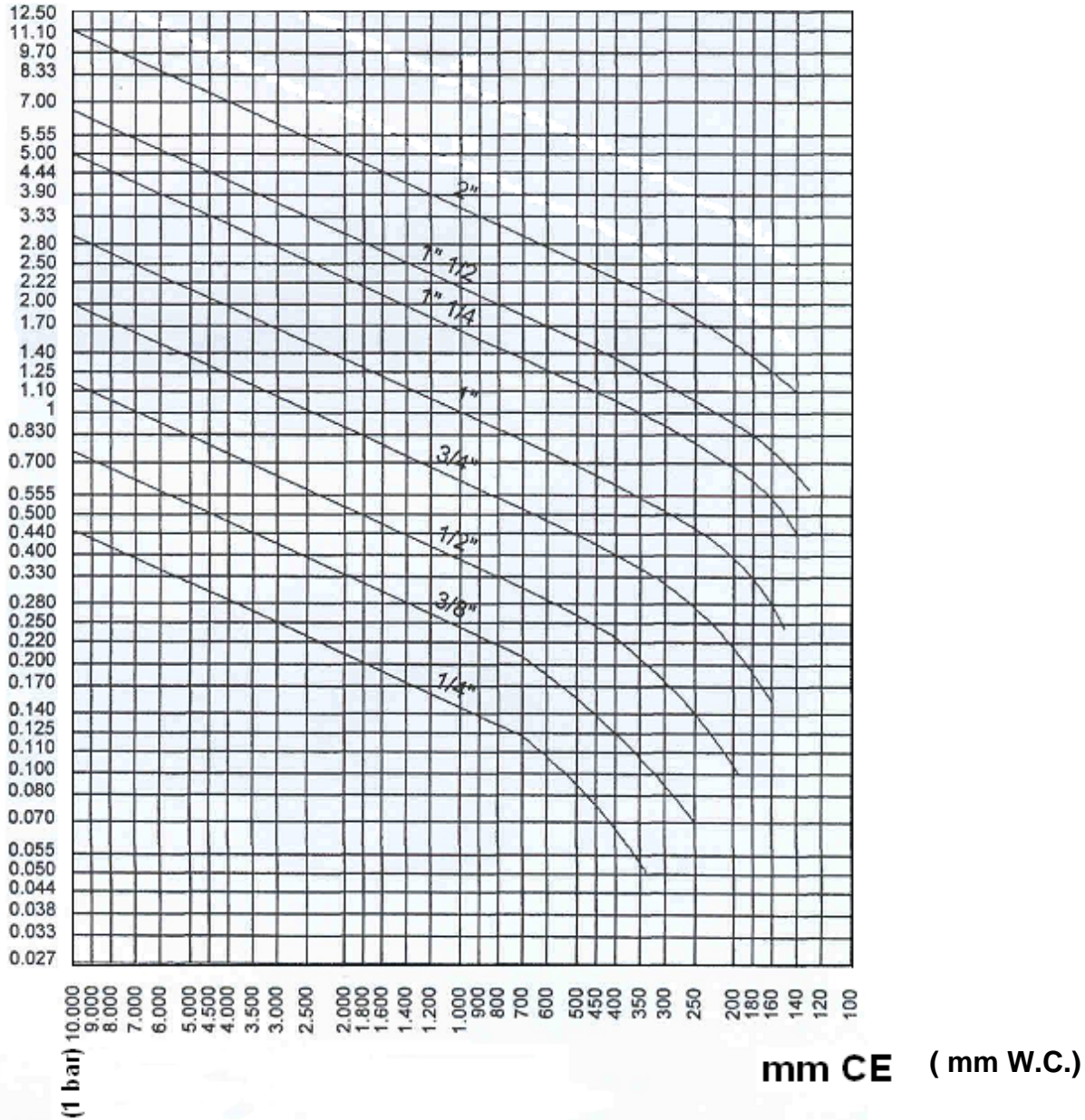


BRONZE GLOBE CHECK VALVE PN25

HEAD LOSS GRAPH :

FLOW

L / S

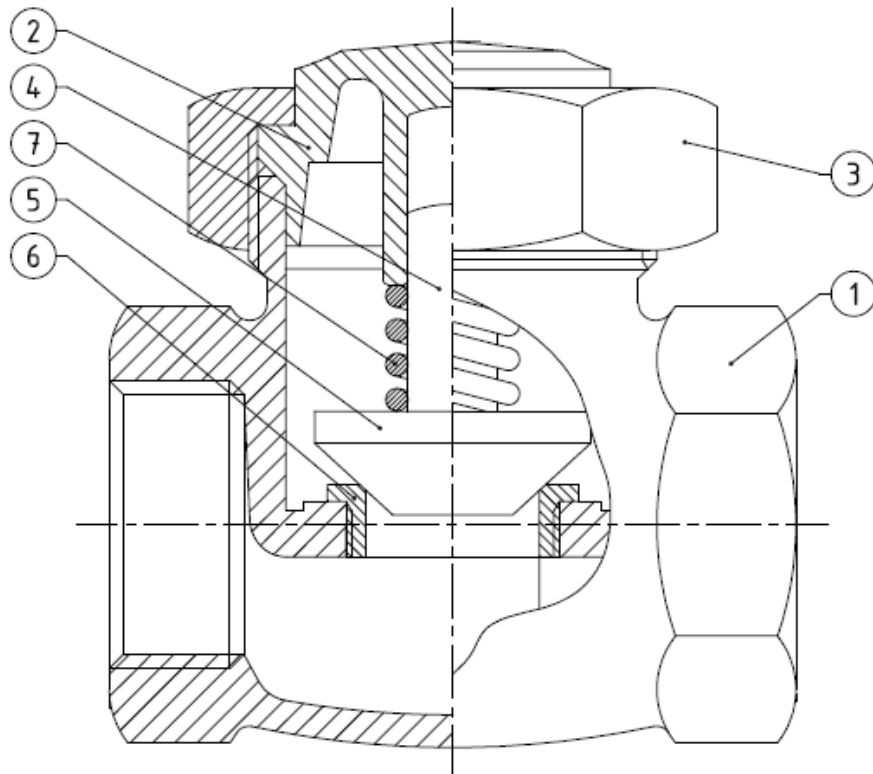


RANGE :

- Bronze body and stainless steel disc female threaded BSP cylindrical from DN 1/4" to DN 2" **Ref. 350**
- Bronze body and PTFE disc female threaded BSP cylindrical BSP from DN 1/4" to DN 2" **Ref. 354**

BRONZE GLOBE CHECK VALVE PN25

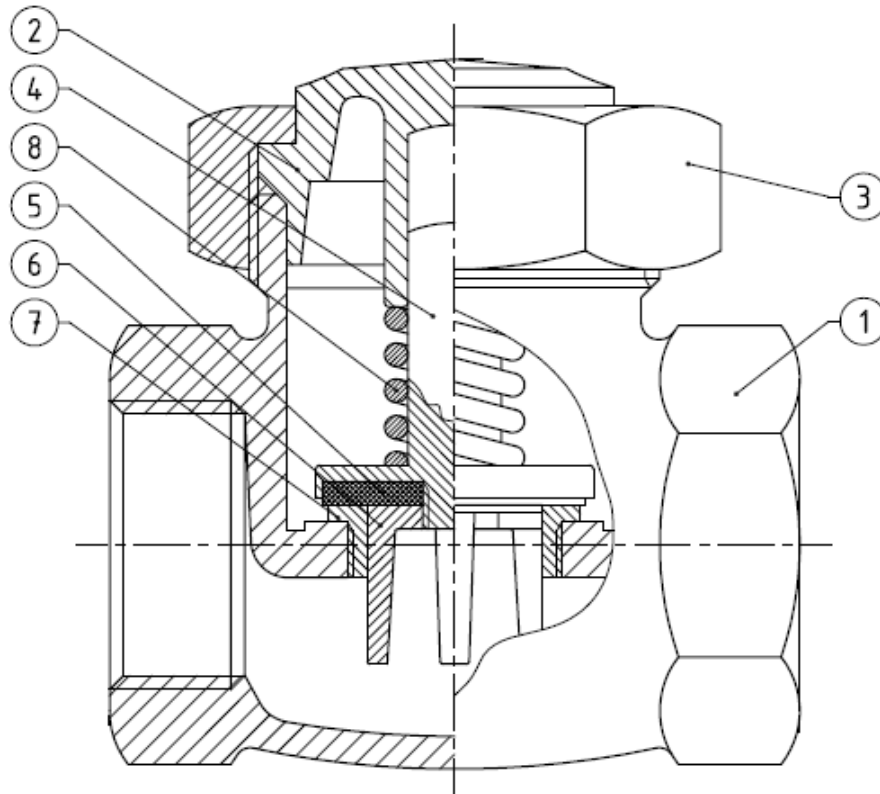
MATERIALS TYPE 350 STAINLESS STEEL DISC :



Item	Designation	Materials 350
1	Body	Bronze C83600 ASTM B62
2	Bonnet DN 1/4" to 1 1/2"	Brass CW 614N according to EN 12164
2	Bonnet DN 2"	Bronze C83600 ASTM B62
3	Bonnet nut	Brass CW 617N according to EN 12165
4	Stem	Brass CW 614N according to EN 12164
5	Disc	SS 316L
6	Seat	SS 316L
7	Spring	SS 303

BRONZE GLOBE CHECK VALVE PN25

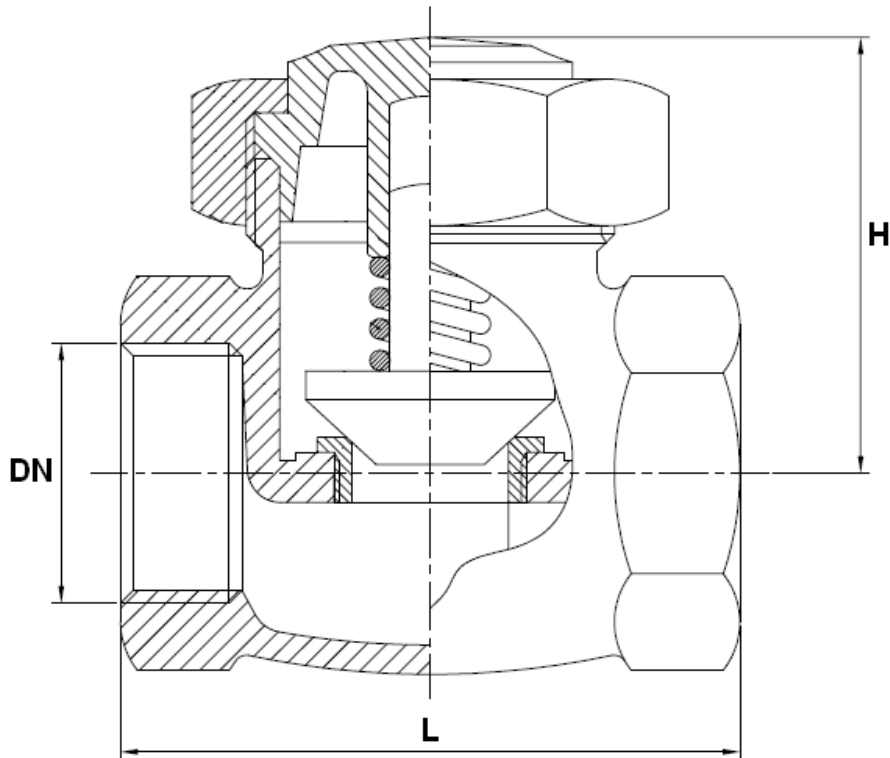
MATERIALS TYPE 354 PTFE DISC :



Item	Designation	Materials 354
1	Body	Bronze C83600 ASTM B62
2	Bonnet DN 1/4" to 1"1/2	Brass CW 614N according to EN 12164
2	Bonnet DN 2"	Bronze C83600 ASTM B62
3	Bonnet nut	Brass CW 617N according to EN 12165
4	Stem	Brass CW 614N according to EN 12164
5	Disc	PTFE
6	Disc nut	Brass CW 614N according to EN 12164
7	Seat	SS 316L
8	Spring	SS 303

BRONZE GLOBE CHECK VALVE PN25

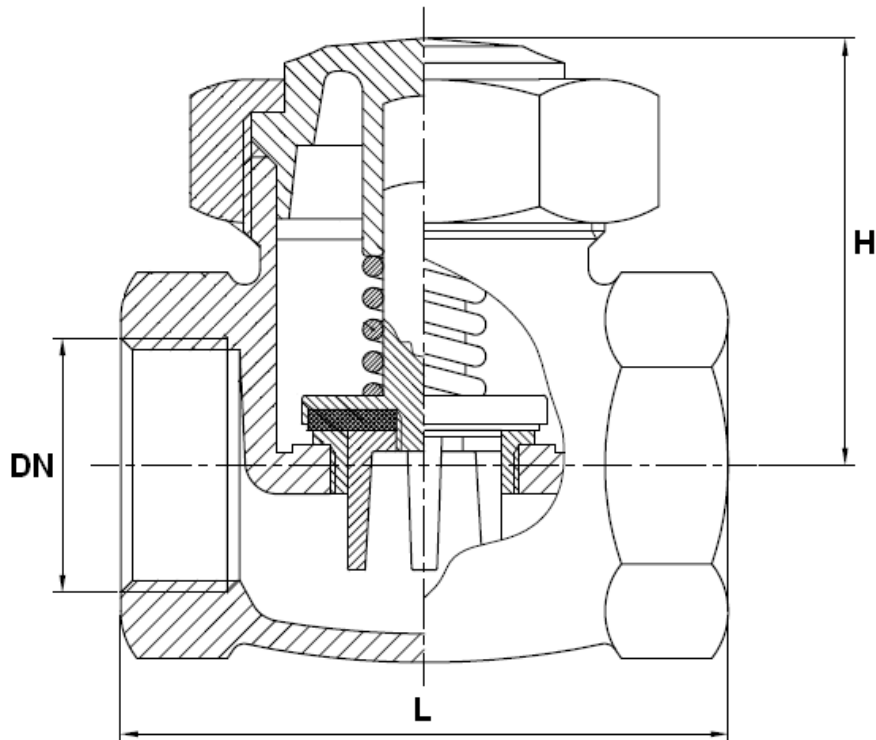
SIZE REF. 350 STAINLESS STEEL DISC (in mm):



Ref.	DN	1/4"	3/8"	1/2"	3/4"	1"	1"1/4"	1"1/2"	2"
350	L	46	46	56	62	74	91	100	128
	H	30	30	35	45	50	60	65	70
	Weight (Kg)	0.197	0.202	0.281	0.504	0.727	1.164	1.504	2.508

BRONZE GLOBE CHECK VALVE PN25

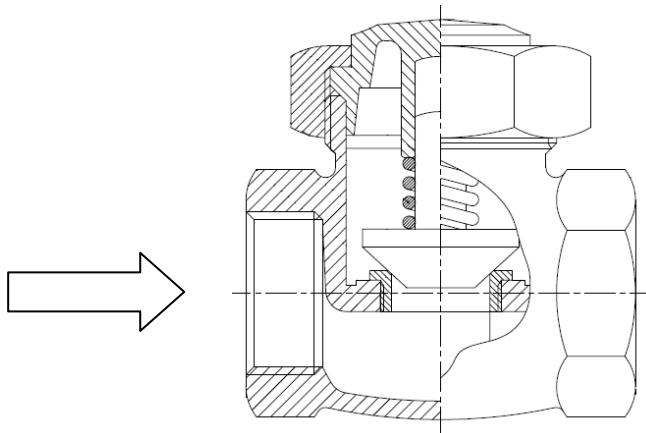
SIZE REF. 354 PTFE DISC (in mm):



Ref.	DN	1/4"	3/8"	1/2"	3/4"	1"	1"1/4	1"1/2	2"
354	L	46	46	56	62	74	91	100	128
	H	30	30	35	45	50	60	65	70
	Weight (Kg)	0.223	0.190	0.292	0.514	0.729	1.198	1.464	2.520

BRONZE GLOBE CHECK VALVE PN25**STANDARDS :**

- Fabrication according to ISO 9001 : 2008
- DIRECTIVE 97/23/CE : CE N° 0497
Risk category III Module H
- Threaded BSP female cylindrical according to ISO 228/1

INSTALLATION POSITION :

ADVICE : Our opinion and our advice are not guaranteed and SFERACO shall not be liable for the consequences of damages.
The customer must check the right choice of the products with the real service conditions.

BRONZE GLOBE CHECK VALVE PN25**INSTALLATION INSTRUCTIONS****GENERAL GUIDELINES :**

- Ensure that the check valves to be used are appropriate for the conditions of the installation (type of fluid, pressure and temperature).
- Be sure to have enough valves to be able to isolate the sections of piping as well as the appropriate equipment for maintenance and repair.
- Ensure that the valves to be installed are of correct strength to be able to support the capacity of their usage.

INSTALLATION INSTRUCTIONS :

- **Before installing the check valves, clean and remove any objects from the pipes** (in particular bits of sealing and metal) which could obstruct and block the valves.
- **Ensure that both connecting pipes either side of the check valve (upstream and downstream) are aligned** (if they're not, the valves may not work correctly).
- **Make sure that the two sections of the pipe (upstream and downstream) match, the check valve unit will not absorb any gaps. Any distortions in the pipes may affect the tightness of the connection, the working of the check valve and can even cause a rupture.** To be sure, place the kit in position to ensure the assembling will work.
- Before starting the fitting, ensure that the threads and tapping are clean.
- **If sections of piping do not have their final support in place, they should be temporarily fixed. This is to avoid unnecessary strain on the check valve.**
- The theoretical lengths given by ISO/R7 for the tapping are typically longer than required, the length of the thread should be limited, and **check that the end of the tube does not press right up to the head of the thread.**
- When screwing the check valve, ensure that you only rotate on screwed side by the 6 ended side. Use an open ended spanner or an adjustable spanner and not a monkey wrench.
- **Never use a vice to tighten the fixings of the check valve.**
- Do not over tighten the check valve. Do not block with any extensions as it may cause a rupture or weakening of the casing.
- If there is a direction changing or if there's another material, it's better to take away the check valve so that it is outside the turbulence area (**between 3 and 5 times the ND before and after**).
- After a pump please refer to **FD CEN/TR 13932** to install the check valve :
 - If it is essential to keep priming the pump, a non-return check valve can be fitted to the suction pipe at a distance **L1 (straight length suction) > 10xD1 (diameter suction)**
The check valve is designed to meet the maximum flow rate in service
 - In other cases, the non-return check valve is mounted on the discharge pipe at a distance of **L2 (straight length at discharge) > 3xD2 (diameter at discharge)**