

MINI BALL VALVE MONOBLOCK STAINLESS STEEL PN63 BSP

Mini stainless steel ball valve monoblock with reduced bore for Chemical industries, petrochemical industries, hydraulic installation, heating, water distribution and compressed air.

2 FKM O rings on stem and PTFE filled with 15% Glass fiber seat for a temperature up to +180°C.

Certificate

3.1



Size : DN1/4" to DN1"

Connection : Female or male BSP

Min Temperature : -20°C

Max Temperature : +180°C

Max Pressure : 63 Bars

Specifications : Anti blow-out stem

Monoblock type

Reduced bore

2 FKM O rings on stem

Materials : Stainless Steel ASTM A351 CF8M

MINI BALL VALVE MONOBLOCK STAINLESS STEEL PN63 BSP

SPECIFICATIONS :

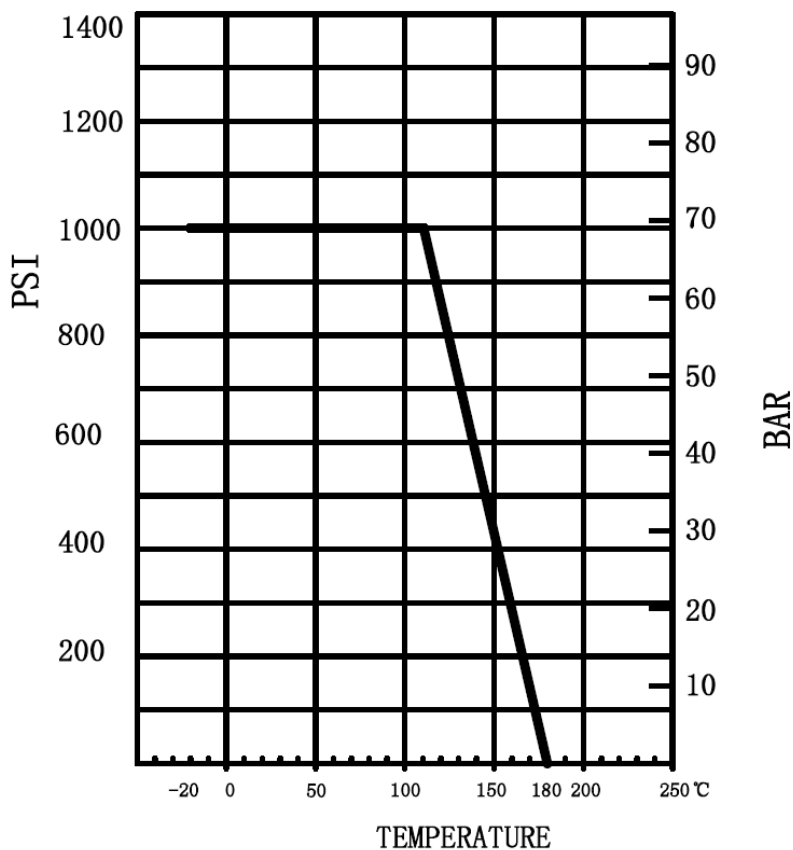
- Reduced bore
- Anti blow-out stem
- 2 FKM O rings on stem
- PTFE filled with 15% glass fiber seat
- Solid ball
- Monoblock type

USE :

- Chemical and pharmaceutical industries, petrochemical industries, hydraulic installation, compressed air
- Min and max Temperature Ts : -20°C to + 180°C
- Max Pressure Ps : 63 bars (see graph)

PRESSURE / TEMPERATURE GRAPH (STEAM EXCLUDED) :

PRESSURE



MINI BALL VALVE MONOBLOCK STAINLESS STEEL PN63 BSP

FLOW COEFFICIENT Kvs (M3 / h) :

DN	1/8"	1/4"	3/8"	1/2"	3/4"	1"
Kvs (m3/h)	1.35	5.39	12.1	21.57	48.5	86.25

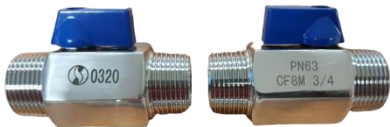
GAMME :



- Mini stainless steel ball valve threaded BSP Female-Female **Ref.732FF** from DN1/8" to DN1"



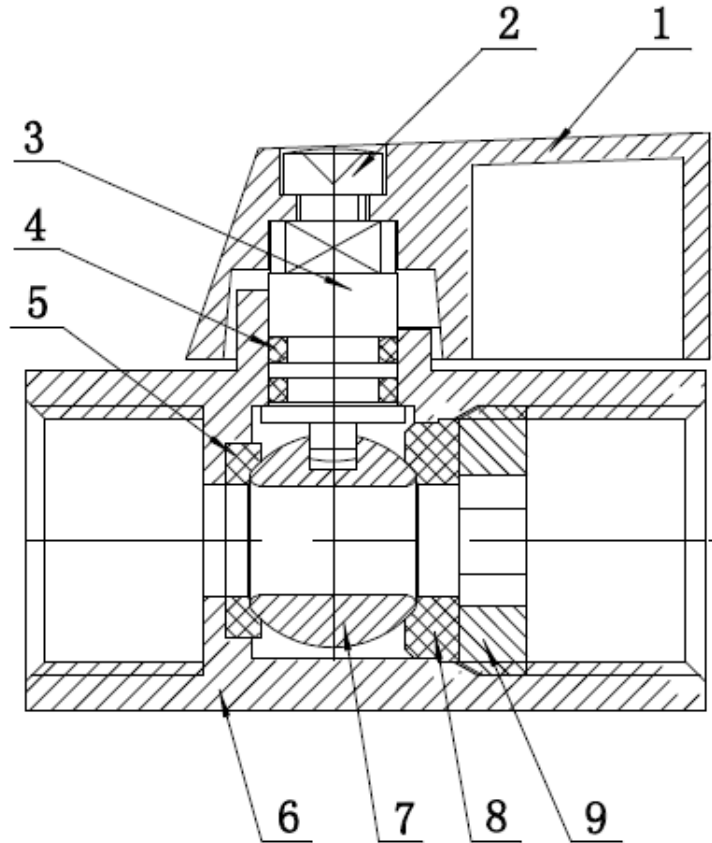
- Mini stainless steel ball valve threaded BSP Male-Female **Ref.732MF** from DN1/8" to DN1"



- Mini stainless steel ball valve threaded BSP Male-Male **Ref.732MM** from DN1/8" to DN1"

MINI BALL VALVE MONOBLOCK STAINLESS STEEL PN63 BSP

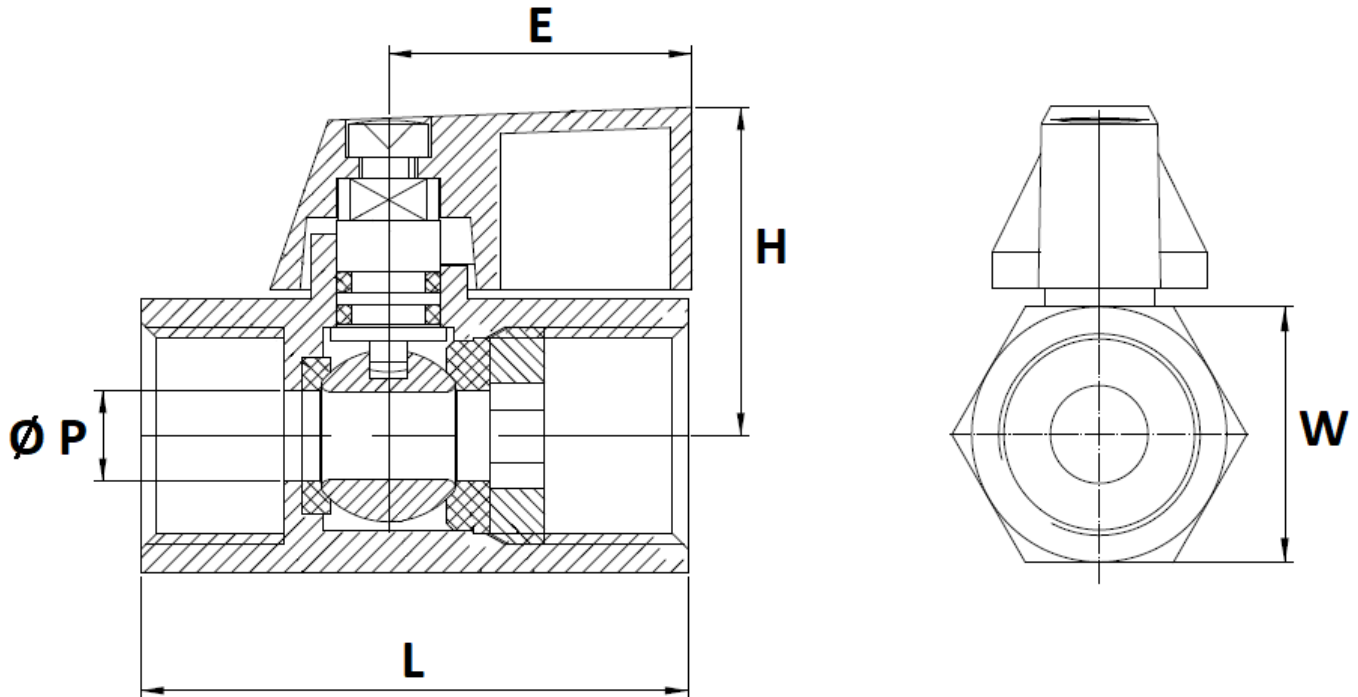
MATERIALS :



Item	Designation	Materials
1	Handle	Aluminium 2145C
2	Screw	AISI 304
3	Stem	AISI 316
4	O ring	FKM
5	Seat	PTFE filled with 15% glass fiber
6	Body	ASTM A351 CF8M
7	Ball	AISI 316
8	Seat	PTFE filled with 15% glass fiber
9	Seat nut	ASTM A351 CF8M

MINI BALL VALVE MONOBLOCK STAINLESS STEEL PN63 BSP

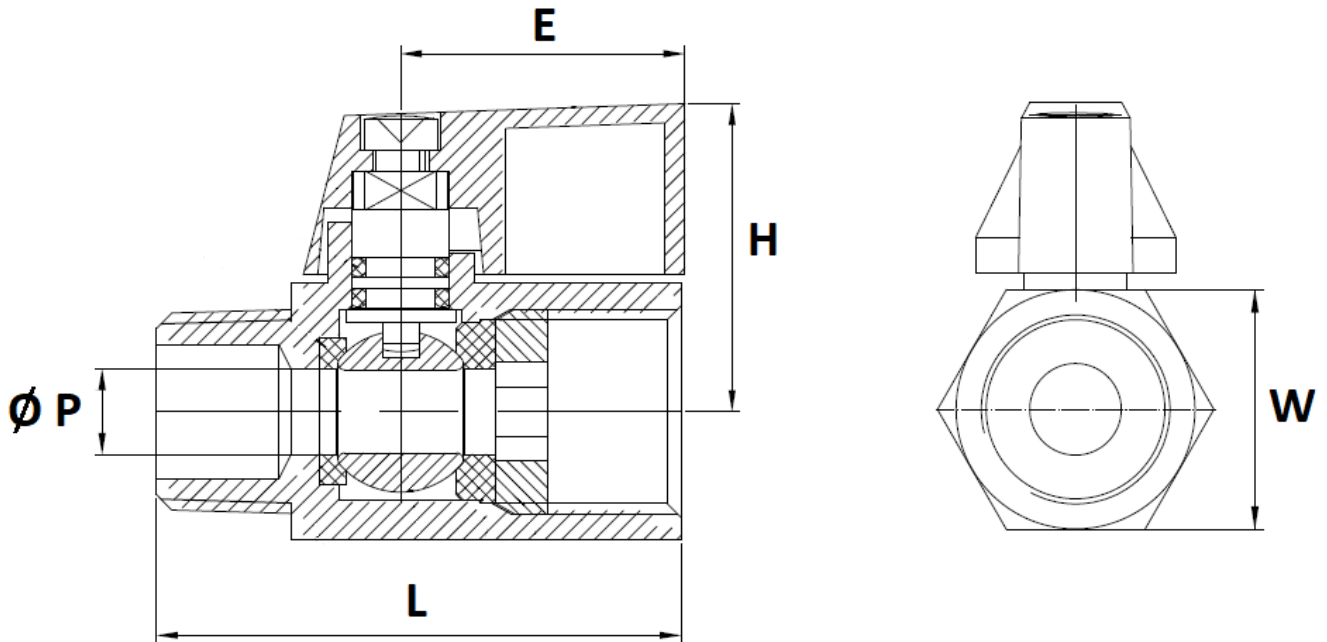
SIZE FEMALE-FEMALE (in mm) :



DN	1/8"	1/4"	3/8"	1/2"	3/4"	1"
Ø P	6.5	7	7	9.2	12.5	15
L	40	42	42	46	54	65
E	23					
H	25	25	25	27.5	31	34.5
W on flat	21	21	21	24.5	31	38
Weight (in Kg)	0.11	0.1	0.09	0.12	0.22	0.35
Ref.	732FF001	732FF002	732FF003	732FF004	732FF005	732FF006

MINI BALL VALVE MONOBLOCK STAINLESS STEEL PN63 BSP

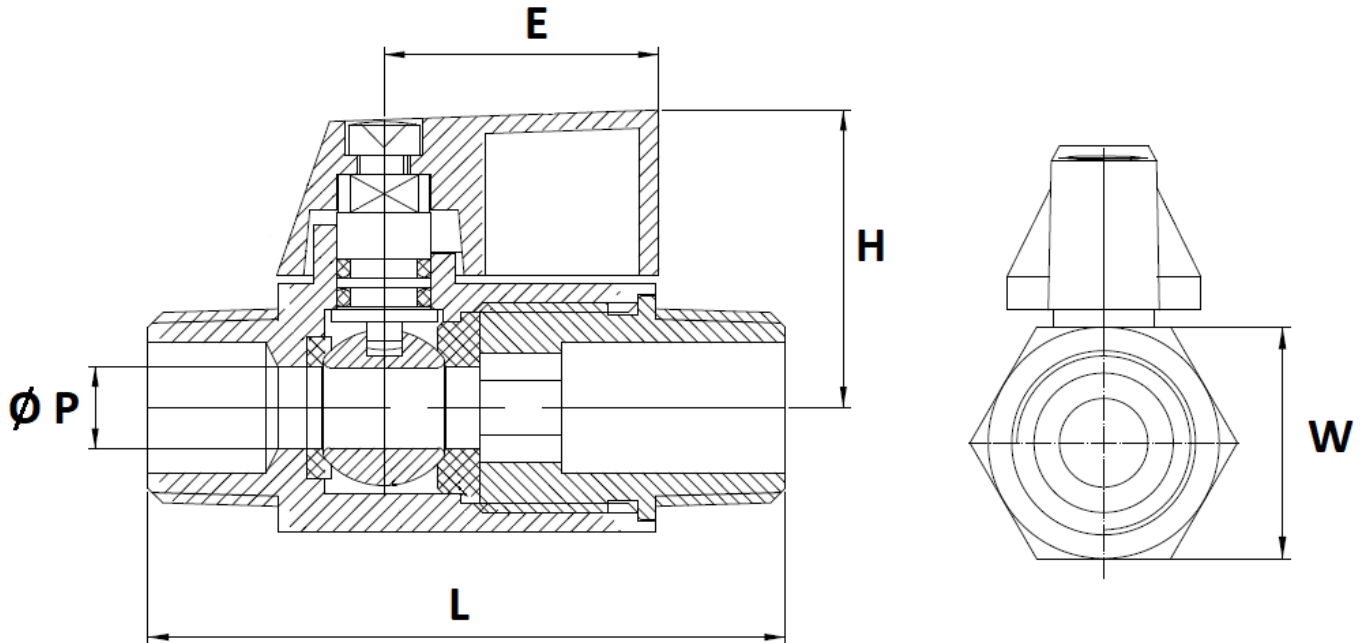
SIZE MALE-FEMALE (in mm) :



DN	1/8"	1/4"	3/8"	1/2"	3/4"	1"
Ø P	6.5	7	7	9.2	12.5	15
L	40.5	43	43	46	54	65
E	23					
H	25	25	25	27.5	31	34.5
W on flat	21	21	21	24.5	31	38
Weight (in Kg)	0.09	0.09	0.09	0.11	0.2	0.33
Ref.	732MF001	732MF002	732MF003	732MF004	732MF005	732MF006

MINI BALL VALVE MONOBLOCK STAINLESS STEEL PN63 BSP

SIZE MALE-MALE (in mm) :



DN	1/8"	1/4"	3/8"	1/2"	3/4"	1"
Ø P	6.5	7	7	9.2	12.5	15
L	49	54	54	59	70	83
E	23					
H	25	25	25	27.5	31	34.5
W on flat	21	21	21	24.5	31	38
Weight (in Kg)	0.1	0.1	0.1	0.14	0.21	0.44
Ref.	732MM001	732MM002	732MM003	732MM004	732MM005	732MM006

MINI BALL VALVE MONOBLOCK STAINLESS STEEL PN63 BSP**STANDARDS :**

- Manufacturer certified ISO 9001 : 2015
- DIRECTIVE 2014/68/EU : Products excluded from directive (Article 4. § 3)
- Certificate 3.1 on request
- Pressure Tests according to EN 12266-1, Rate A
- Threaded female end BSP cylindrical according to ISO 228-1 and male BSP conical according to ISO 7-1R

ADVICE : Our opinion and our advice are not guaranteed and SFERACO shall not be liable for the consequences of damages.
The customer must check the right choice of the products with the real service conditions.